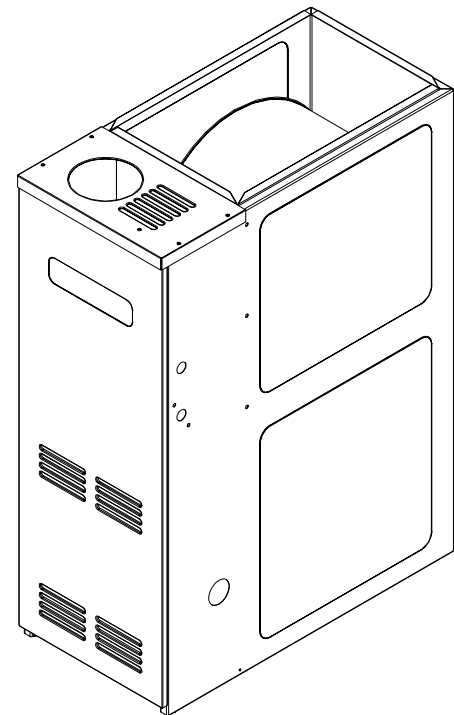


# 80% AFUE INDUCED DRAFT DOWNFLOW GAS FURNACE



## GDT SERIES



### Description / Application

- All models design certified by ITS to be in compliance with ANSI Z21.47 and CAN/CSA 2.3 (Canada) safety standards
- Completely assembled, factory run-tested furnace, for heating or combination heating/ cooling application
- For utility room, closet, alcove, basement or attic application
- For Downflow applications

### Construction

- Heavy gauge, reinforced, wrap-around insulated steel cabinet with durable baked enamel finish
- Aluminized steel tubular heat exchanger
- Aluminized steel inshot burners
- Convenient left or right connection for gas service
- Right side electrical service

### Standard Equipment

- Energy saving PSC, multi-speed, direct drive blower motors
- Quiet operating, sound isolated blower assembly
- 40VA transformer for heating and air conditioning control service
- Combination redundant gas valve and regulator
- Integrated furnace control with diagnostics
- Blower door safety switch
- Energy saving Hot Surface Ignition system
- Flame roll-out switch
- Outlet air limit switch
- Pressure switch for proof of combustion air

### Optional Equipment

- L.P. Conversion Kit (LPT-00)
- Downflow Coil Adapter Kit (DFKT\*\*)

## PERFORMANCE RATINGS

Model Number	Natural Gas Input BTUH	Natural Gas Output BTUH	Propane Gas Input BTUH	Propane Gas Output BTUH	DOE AFUE	Temperature Rise Range (°F)
GDT045-3A	45,000	36,000	40,000	32,000	80.0	25 - 55
GDT070-3A	70,000	56,000	60,000	48,000	80.0	30 - 60
GDT090-4A	90,000	72,000	80,000	64,000	80.0	35 - 65
GDT115-5A	115,000	100,000	100,000	80,000	80.0	40 - 70

## SPECIFICATION DATA

Model Number	Circulator Blower			Vent Diameter <sup>1</sup> (in.)	Filter Size (in <sup>2</sup> .)		Minimum Circuit Ampacity <sup>2</sup> (Amps)	Maximum Overcurrent Protection <sup>3</sup> (Amps)	Ship. Wt. (lbs)
	Size (D"xW")	HP	No. of Speeds		Permanent	Disposable			
GDT045-3A	10 X 6	1/3	3	4	290	580	5.2	15.0	120
GDT070-3A	10 X 6	1/3	3	4	290	580	5.2	15.0	130
GDT090-4A	10 X 8	1/2	3	4	385	770	7.8	15.0	153
GDT115-5A	10 X 10	1/2	3	4	480	960	7.8	15.0	175

<sup>1</sup> Vent and combustion air diameters may vary depending upon vent length. Refer to furnace installation instructions.

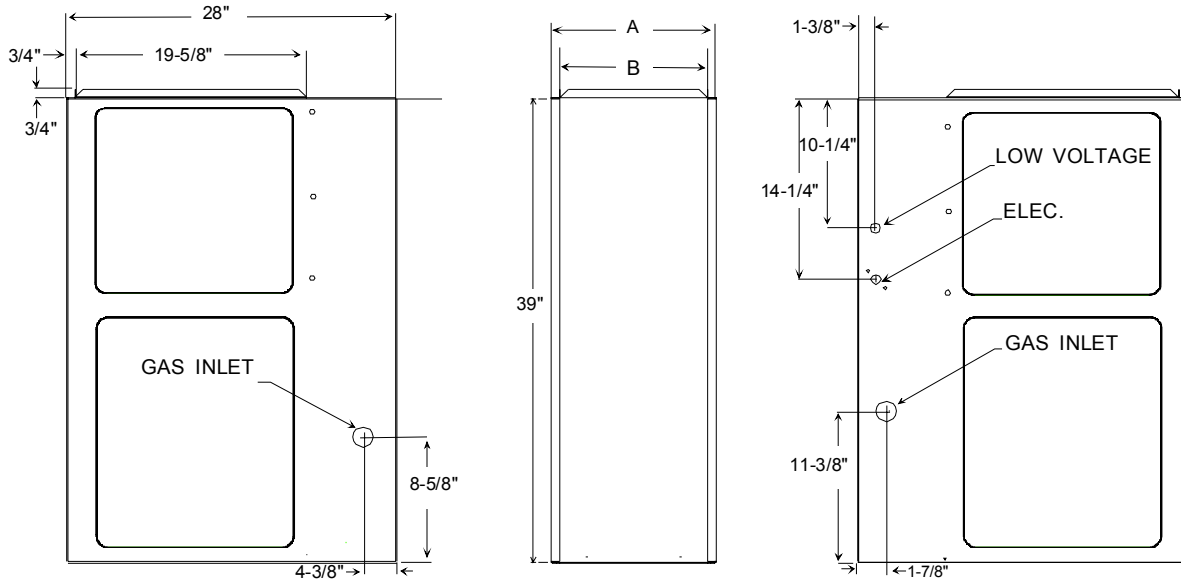
<sup>2</sup> Minimum Circuit Ampacity = (1.25 x Circulator Blower Amps) + ID Blower amps.

<sup>3</sup> Maximum Overcurrent Protection refers to maximum recommended fuse or circuit breaker size.

### NOTES:

- All furnaces are manufactured for use on 115 VAC, 60 Hz, single phase electrical supply.
- Gas Service Connection 1/2" FPT
- Important: It is required to size fuses and wires properly and make electrical connections in accordance with the National Electrical Code and/or all existing local codes.

## DIMENSIONS



Model Number	A	B	Non-Combustible Floor Base
GDT045-3A GDT070-3A	14"	12-1/2"	SBT14
GDT090-4A	17-1/2"	16"	SBT17
GDT115-5A	21"	19-1/2"	SBT21

## DIMENSIONS (cont.)

MINIMUM CLEARANCES TO COMBUSTIBLE MATERIALS (INCHES)					
SIDES	REAR	FRONT*	VENT**		TOP
			SW	B	
1	0	3	6	1	1

\*36" clearance for serviceability recommended.

\*\*Single Wall Vent (SW) to be used only as a connector. Refer to the venting tables outlined in the Installation Manual for additional venting

## CASED (U) COIL APPLICATION OPTIONS

Coil Model Number		COIL MODELS														
		U - 18	U - 29	U - 30	U - 31	U - 32	U - 35	U - 36	U - 42	U - 47	U - 49	U - 59	U - 60	U - 61	U - 62	
Coil Width		14"	14"	17-1/2"	14"	17-1/2"	14"	17-1/2"	17-1/2"	17-1/2"	21"	21"	24-1/2"	24-1/2"	21"	
GDT Models	Furnace Width															
GDT045-3A GDT070-3A	14"	x	x	x <sup>(1)</sup>	x	x <sup>(1)</sup>	x	x <sup>(1)</sup>	x <sup>(1)</sup>							
GDT090-4A	17-1/2"			x <sup>(2)</sup>		x <sup>(2)</sup>		x <sup>(2)</sup>	x <sup>(2)</sup>	x	x <sup>(1)</sup>	x <sup>(1)</sup>				x <sup>(1)</sup>
GDT115-5A	21"										x <sup>(2)</sup>	x <sup>(2)</sup>	x <sup>(1)</sup>	x <sup>(1)</sup>		

(1) Using the factory installed bottom cabinet filler plates

(2) Discard bottom cabinet filler plates

(3) Downflow Coil Adapter Kit (DFKT\*\*) allows use of U coils in downflow applications.

Due to the rating mix/match of various coils with outdoor units, it is important to match the furnace air flow for the total system capacity.

Refer to furnace, heat pump and/or condensing unit specification sheets.

## AIRFLOW DATA CFM - NO FILTERS

MODEL	Motor Speed	EXTERNAL STATIC PRESSURE (inches w.c.)							
		0.1	0.2	0.3	0.4	0.5	0.6	0.7	0.8
		CFM	CFM	CFM	CFM	CFM	CFM	CFM	CFM
GDT045-3A	HIGH	1650	1575	1500	1430	1340	1230	1135	1015
	MED	1350	1300	1200	1135	1070	985	910	795
	LOW	865	835	795	750	720	665	610	550
GDT070-3A	HIGH	1545	1475	1400	1330	1225	1120	1015	920
	MED	1275	1200	1170	1100	1015	940	865	760
	LOW	900	860	800	760	725	675	620	545
GDT090-4A	HIGH	1985	1860	1770	1740	1670	1500	1370	1170
	MED	1735	1660	1590	1515	1465	1360	1250	1115
	LOW	1445	1400	1375	1300	1240	1160	1080	965
GDT115-5A	HIGH	2335	2300	2250	2140	1965	1790	1365	773
	MED	1975	1960	1885	1800	1660	1465	1075	701
	LOW	1570	1535	1490	1390	1300	1185	961	675

Values indicated by *shaded* areas represent airflows that are too low for heating temperature rise.

***Before purchasing this appliance, read important energy cost and efficiency data available from your retailer.***

**NOTE: SPECIFICATIONS AND PERFORMANCE DATA LISTED HEREIN ARE SUBJECT TO CHANGE WITHOUT NOTICE**

### **Quality Makes the Difference!**

All of our systems are designed and manufactured with the same high quality standards regardless of size or efficiency. Our designs virtually eliminate the most frequent causes of product failure. They are simple to service and forgiving to operate. We use the highest quality materials and components available because if a part fails then the unit fails. Finally, every unit is run tested before it leaves the factory. That's why we know...

***There's No Better Quality.***

Visit our web site at [www.goodmanmfg.com](http://www.goodmanmfg.com) for information on:

- Goodman Products
- Warranties
- Customer Services
- Parts
- Contractor Programs and Training
- Financing Options