



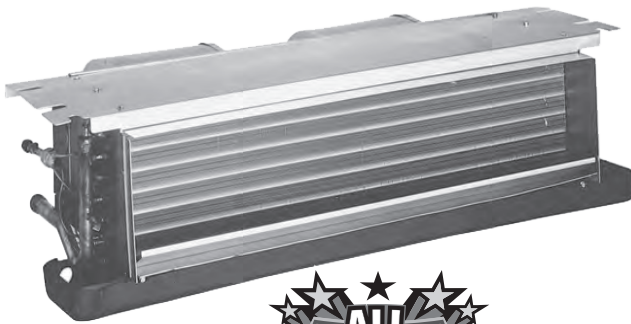
Air Conditioning & Heating

ACNF SERIES

CEILING-MOUNT

AIR HANDLERS

1½ TO 2½ TONS



Standard Features

- Suitable for use with refrigerants R-410A and R-22
- Check flowrater for heat pump and cooling-only applications
- All-aluminum tube/aluminum fin coil
- Direct-drive, resilient-mount, multi-speed motor
- Sequence-controlled and rust-resistant nickel chromium heating elements of 5, 6, 8 and 10 kW
- High-efficiency evaporator coil
- Quiet operation
- Available with and without heat
- AHRI Certified
- ETL Certified

Cabinet Features

- Primary/secondary drain connection in a high-temperature plastic drain pan
- Suitable for free-return installation (non-ducted return air)
- Galvanized-steel construction
- Factory-installed pull-type disconnect
- Easy service access



* Complete warranty details available from your local dealer or at www.goodmanmfg.com. To receive the 10-Year Parts Limited Warranty, online registration must be completed within 60 days of installation. Online registration is not required in California or Québec.



NOMENCLATURE

	A	C	N	F	3642	1	6	AA	
	1	2	3	4	5,6,7,8	9	10	11,12	
Brand									Engineering *
A Single-piece Air Handler									Major/ Minor Revisions * Not used for inventory management
Unit Application									Refrigerant Compatibility
C Ceiling Mount PSC Motor									No Digit = R-22 only
D Downflow PSC Motor									6 = R-410A or R-22
E Multi-Position Variable-Speed Motor									
R Multi-Position PSC Motor									
S Multi-Position EEM Motor									
W Wall Mount PSC Motor									
Cabinet Finish									Electrical
U Unpainted									1 208/240 V, 1 Phase, 60 Hz
P Painted									
N Uncased									
Expansion Device									Nominal Capacity Range @ 13 SEER
F Flowrater									& Nominal Factory-Installed Electric Heat kW
T Expansion Valve									1805 1½ Tons Cooling/ 5 kW Electric Heat
									2405 2 Tons Cooling/ 5 kW Electric Heat



SPECIFICATIONS

	ACNF18 0016	ACNF18 0516	ACNF18 0616	ACNF18 0816	ACNF24 0016	ACNF24 0516	ACNF24 0616
PERFORMANCE RATINGS							
Cooling (BTU/h)	18,000	18,000	18,000	18,000	24,000	24,000	24,000
Airflow Rate CFM (High/ Low) ¹	525/470	525/470	525/470	525/470	860/800	860/800	860/800
BLOWER							
Diameter	5.75	5.75	5.75	5.75	6.31	6.31	6.31
Width	6.75	6.75	6.75	6.75	8.25	8.25	8.25
Coil Drain Connect FPT	¾"	¾"	¾"	¾"	¾"	¾"	¾"
REFRIGERANT LINE CONNECTION SIZE							
Liquid	⅜"	⅜"	⅜"	⅜"	⅜"	⅜"	⅜"
Suction	¾"	¾"	¾"	¾"	¾"	¾"	¾"
ELECTRICAL DATA							
Voltage	208/230	208/230	208/230	208/230	208/230	208/230	208/230
Min Circuit Ampacity @ 230V	0.9	27	33.5	40.6	1.68	27.8	34.3
Min Circuit Ampacity @ 208V	0.9	23.5	29.2	35.3	1.68	24.3	29.9
Max. Overcurrent Device @ 230V	15	30	35	45	15	30	35
Max. Overcurrent Device @ 208V	15	25	30	40	15	25	30
Minimum Voltage VAC	197	197	197	197	197	197	197
Maximum Voltage VAC	253	253	253	253	253	253	253
ELECTRIC HEAT							
kW @ 230 Volts	0.0	4.8	6.0	7.3	0.0	4.8	6.0
BTU/h @ 230 Volts	0	16,400	20,500	24,900	0	16,400	20,500
BLOWER MOTOR							
FLA	0.72	0.72	0.72	0.72	1.34	1.34	1.34
HP	1/8	1/8	1/8	1/8	1/4	1/4	1/4
SHIP WEIGHT (LBS)	54	57	57	57	61	64	64

¹ CFM @ .2 static

Note: When the room thermostat calls for second stage heat, the first stage (heat pump) operation must be locked out. When matching the "AC" unit that has electric heat with a heat pump, order "HEAT PUMP SHUT OFF KIT HPSK-01." The ACXX-00 units do not require this kit.

SPECIFICATIONS (CONT.)

	ACNF24 0816	ACNF24 1016	ACNF30 0016	ACNF30 0516	ACNF30 0616	ACNF30 0816	ACNF30 1016
PERFORMANCE RATINGS							
Cooling (BTU/h)	24,000	24,000	30,000	30,000	30,000	30,000	30,000
Airflow Rate CFM (High/ Low) ¹	860/800	860/800	985/845	985/845	985/845	985/845	985/845
BLOWER							
Diameter	6.31	6.31	6.75	6.75	6.75	6.75	6.75
Width	8.25	8.25	8.25	8.25	8.25	8.25	8.25
Coil Drain Connect FPT	¾"	¾"	¾"	¾"	¾"	¾"	¾"
REFRIGERANT LINE CONNECTION SIZE							
Liquid	⅜"	⅜"	⅜"	⅜"	⅜"	⅜"	⅜"
Suction	¾"	¾"	¾"	¾"	¾"	¾"	¾"
ELECTRICAL DATA							
Voltage	208/230	208/230	208/230	208/230	208/230	208/230	208/230
Min Circuit Ampacity @ 230V	41.3	54.9	1.68	27.8	34.3	41.3	54.9
Min Circuit Ampacity @ 208V	36.1	47.8	1.68	24.3	29.9	36.1	47.8
Max. Overcurrent Device @ 230V	45	60	15	30	35	45	60
Max. Overcurrent Device @ 208V	40	50	15	25	30	40	50
Minimum Voltage VAC	197	197	197	197	197	197	197
Maximum Voltage VAC	253	253	253	253	253	253	253
ELECTRIC HEAT							
kW @ 230 Volts	7.3	9.8	0.0	4.8	6.0	7.3	9.8
BTU/h @ 230 Volts	24,900	33,500	0	16,400	20,500	24,900	33,500
BLOWER MOTOR							
FLA	1.34	1.34	1.34	1.34	1.34	1.34	1.34
HP	1/4	1/4	1/4	1/4	1/4	1/4	1/4
SHIP WEIGHT (LBS)	64	64	65	68	68	68	68

¹ CFM @ .2 static

Note: When the room thermostat calls for second stage heat, the first stage (heat pump) operation must be locked out. When matching the "AC" unit that has electric heat with a heat pump, order "HEAT PUMP SHUT OFF KIT HPSK-01." The ACXX-00 units do not require this kit.

AIRFLOW DATA

MODEL	MOTOR SPEED	CFM DELIVERED AGAINST EXTERNAL STATIC PRESSURE				
		0.1"	0.2"	0.3"	0.4"	0.5"
ACNF180***	High	610	525	480	400	320
	Low	545	470	400	340	250
ACNF240***	High	945	860	800	725	670
	Low	850	800	725	680	600
ACNF300***	High	1,060	985	895	805	720
	Low	905	845	780	710	625

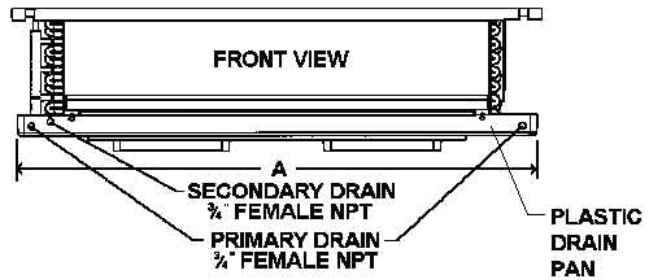
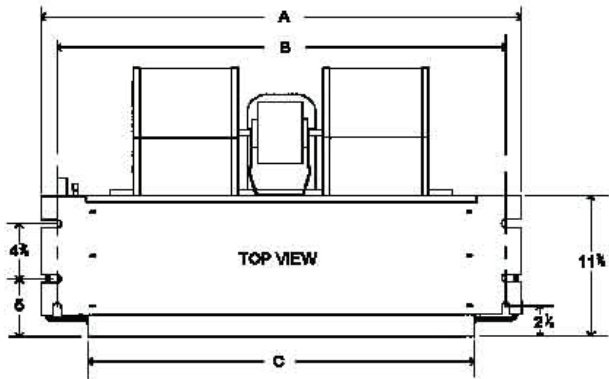
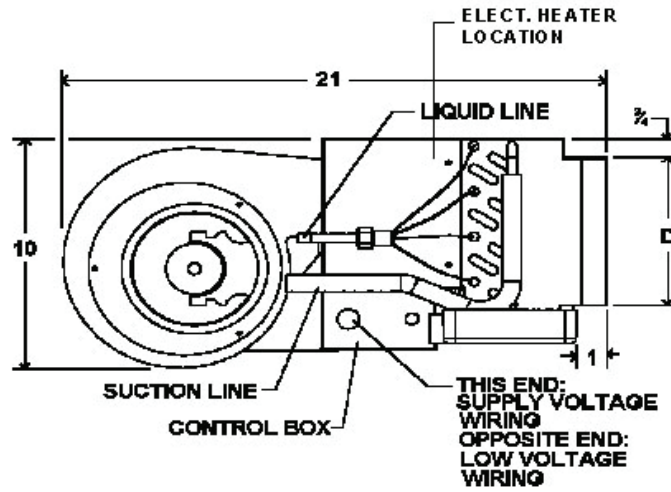
Note: Airflow data for 230 Vac with dry coil and no filter in place; for 208 Vac operation use x .96 factor on airflow.

HEATING CAPACITY/kW CORRECTION FACTOR

SUPPLY VOLTAGE	240	230	220	210	208
CORRECTION FACTOR	1.08	1.00	0.92	0.84	0.82

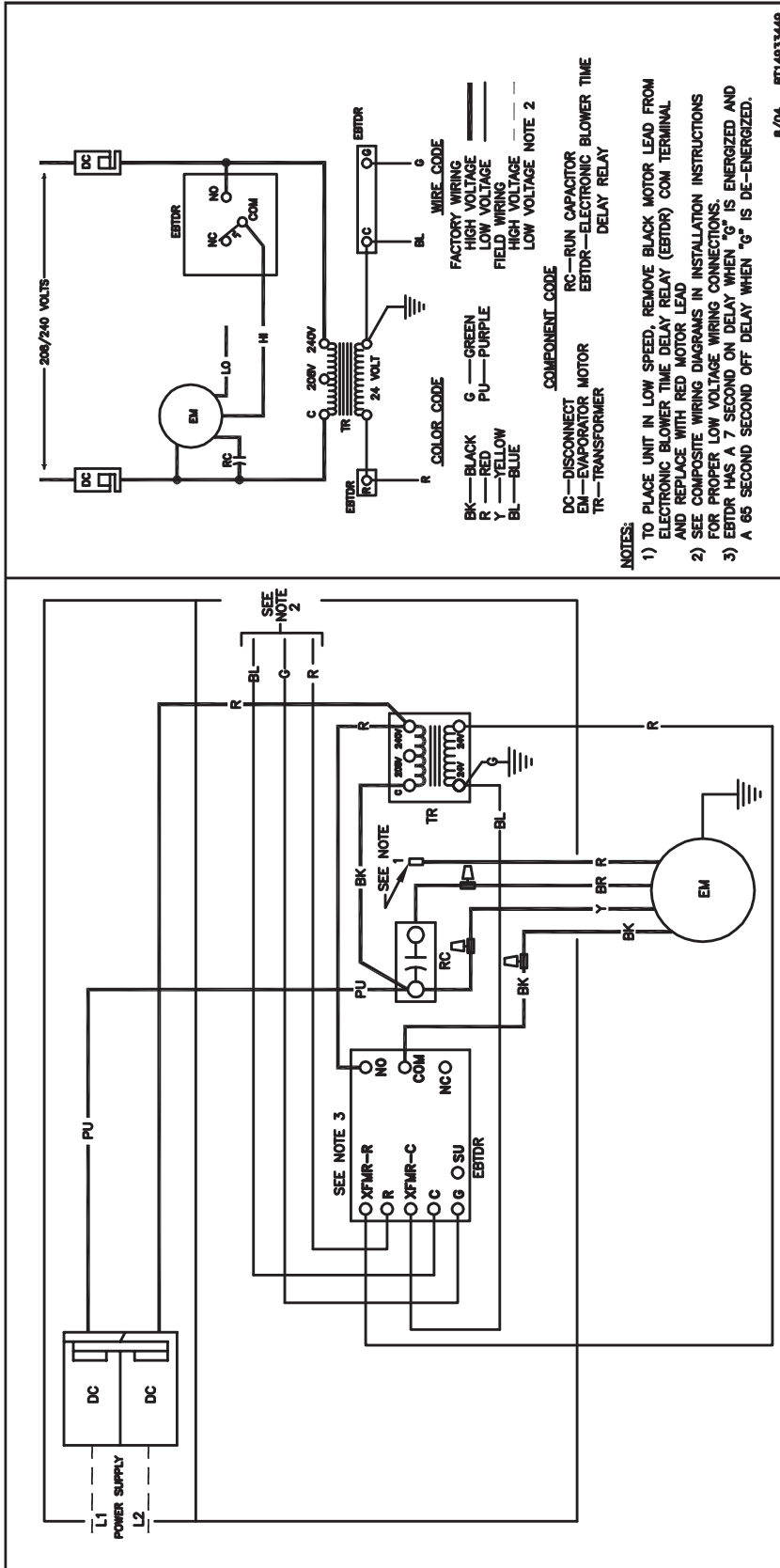
(Multiply the 230-volt capacity by factors)

DIMENSIONS



Model	A	B	C	D
ACNF18	37 1/4"	34 11/16"	30"	6 1/2"
ACNF24	43 1/4"	40 11/16"	36"	6 1/2"
ACNF30	49 1/4"	46 11/16"	42"	6 1/2"

WIRING DIAGRAM



6/04 BT14933449

Wiring is subject to change. Always refer to the wiring diagram or the unit for the most up-to-date wiring.



WARNING

High Voltage: Disconnect all power before servicing or installing this unit. Multiple power sources may be present. Failure to do so may cause property damage, personal injury, or death.

ACCESSORIES

MODEL	DESCRIPTION
HPSK-01	Heat Pump Shut-off Relay Kit
LOUVERED CEILING ACCESS PANELS	
CAP-1/ 1L	Fits ACNF18
CAP-2/ 2L	Fits ACNF24
CAP-3/ 3L	Fits ACNF30

