

# fluid

Innovative fixtures for life

## **SPECIFICATIONS**

Customer Service: 1-800-460-7019  
www.fluidfaucets.com

**SSI**<sup>TM</sup>  
SUSTAINABLE  
SOLUTIONS  
INTERNATIONAL

### Specifications

- Heavy brass construction for durability and reliability
- Italian made Hydroplast ceramic cartridge ensures life long trouble free service
- Single lever handle operation allows both volume and temperature control
- Max-temperature limit stop for added safety.
- SSi Eco-Care aerator 1.5 gpm (5.7 lpm) at 60 psi
- Extra long flexible connection for easy installation
- Single-hole mounting with a supplied wrench tool
- 1-1/2" faucet hole size for drilling recommended
- Available waste pop-up drain

### Finish

- CP (Polished Chrome)
- PVD-BN (PVD Brushed Nickel)

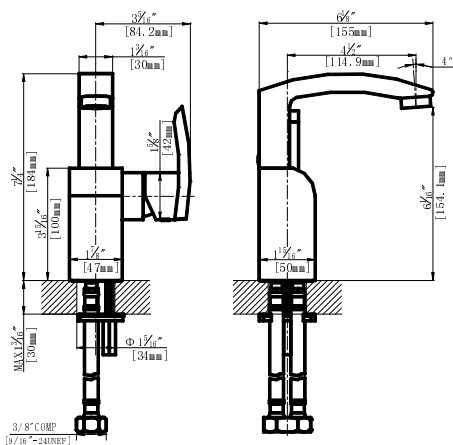
### Codes and Standards

- ANSI/ASME A112.18.1
- CSA B125.1
- NSF61-9
- ADA
- IAPMO / cUPC Listed
- EPA Watersense Listed
- AB1953 California Lead Plumbing Law Certified

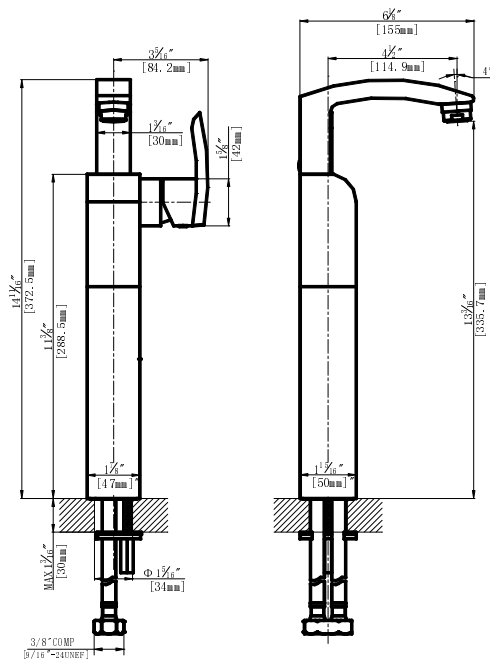
### Warranty

- Limited Lifetime Faucet Warranty against material and manufacturing defects for residential use.
- 2 Year Limited Warranty on all industrial, commercial and business applications.

## fluid Toucan Series Single Lever Lavatory Faucet Model: F16001-WS Model: F16002-WS (for vessel)



**Model: F16001-WS**



**Model: F16002-WS**