

fluid

Innovative fixtures for life

SPECIFICATIONS

Customer Service: 1-800-460-7019
www.fluidfaucets.com

SSITM
SUSTAINABLE
SOLUTIONS
INTERNATIONAL

Specifications

- Heavy brass construction for durability and reliability
- Italian made Hydroplast ceramic cartridge ensures life long trouble free service
- Single lever handle operation allows both volume and temperature control
- Max-temperature limit stop for added safety.
- SSi Eco-Care aerator 1.5 gpm (5.7 lpm) at 60 psi
- Extra long flexible connection for easy installation
- Single-hole mounting with a supplied wrench tool
- 1-1/2" faucet hole size for drilling recommended
- Available waste pop-up drain

Finish

- CP (Polished Chrome)
- PVD-BN (PVD Brushed Nickel)

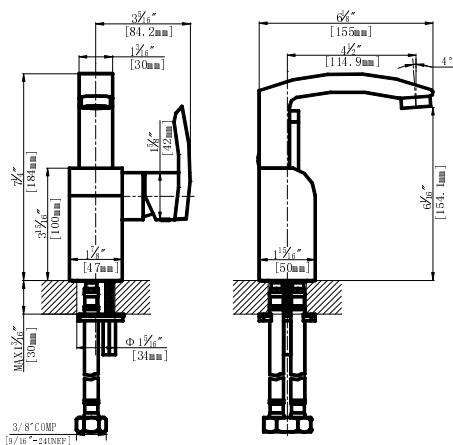
Codes and Standards

- ANSI/ASME A112.18.1
- CSA B125.1
- NSF61-9
- ADA
- IAPMO / cUPC Listed
- EPA Watersense Listed
- AB1953 California Lead Plumbing Law Certified

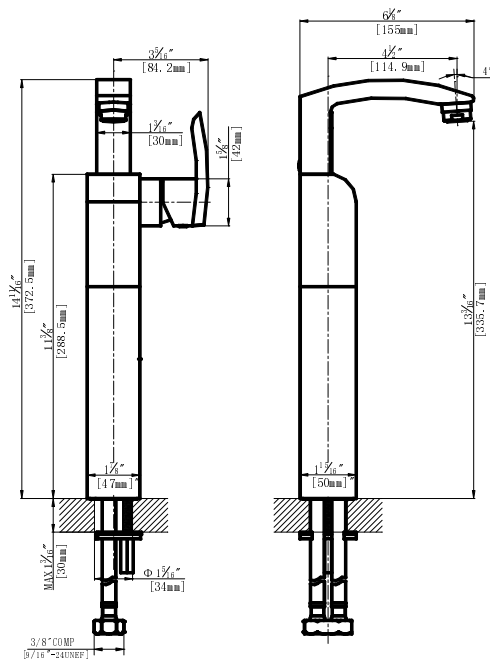
Warranty

- Limited Lifetime Faucet Warranty against material and manufacturing defects for residential use.
- 2 Year Limited Warranty on all industrial, commercial and business applications.

fluid Toucan Series Single Lever Lavatory Faucet Model: F16001-WS Model: F16002-WS (for vessel)



Model: F16001-WS



Model: F16002-WS