

ELIMINATOR™ FOUNDATION VENT FAN

Model: EL-1 and EL-1R



English.....Page 1
Français...Page 5
Español....Page 8

This product is designed for ventilating or circulating air through crawl spaces of homes. By maintaining constant air flow through the crawl space, problems such as fungus growth, dry rot, and radon gas will be reduced or eliminated. An integral temperature switch allows fan operation only at air temperature above 50°F.

EL-1 UNIT INCLUDES:

120 volt ELIMINATOR™ fan unit with integral temperature fan control and mounting hardware.

OPTIONAL CONTROL:

EDH Eliminator™ De-Humidistat: 120 volt De-Humidistat to allow operation of fan at a set humidity level of the crawl space.

READ THESE INSTRUCTIONS CAREFULLY AND COMPLETELY BEFORE PROCEEDING WITH THE INSTALLATION.

This device **MUST** be installed by a qualified agency in accordance with the manufacturer's installation instructions. The definition of a qualified agency is: any individual, firm, corporation or company which either in person or through a representative is engaged in, and is responsible for, the installation and operation of HVAC appliances, who is experienced in such work, familiar with all the precautions required, and has complied with all the requirements of the authority having jurisdiction.

Please retain these instructions after installation.

Installed By: _____ Phone: _____ Installation Date: _____



F I E L D C O N T R O L S

www.fieldcontrols.com

MOUNTING LOCATION AND MOUNTING REQUIREMENTS

1. Locate fan on crawl space vent areas that do not have good cross flow ventilation.
2. The ELIMINATOR™ fan unit must be mounted onto an existing or new crawl space vent that has a grill mesh construction. (see mounting instructions)
3. One unit is recommended per 1,000 square feet of crawl space. The actual total number of units will be based on moisture removal requirements of the crawl space.

MOUNTING INSTRUCTIONS

1. Remove any manual covering door on the crawl space vent where the unit is to be installed. (See Figure 1) If plastic automatic vents are used, remove the closure vanes before installing fan onto vent. (See Figure 2)
2. Hold ELIMINATOR™ unit against the vent. Mark and poke 4 holes through the backing screen. This is to be done at the location where the slotted mounting holes and the vent grill mesh intersect. (See Figure 3)
3. Secure ELIMINATOR™ to the grill mesh of the vent with the supplied mounting anchors. Insert the flat edge of the mounting anchor through the slotted holes in the ELIMINATOR™ mounting plate and hook the grill mesh of the vent. Hold in place and install the supplied flat washer and hex nut. After all four (4) mounting brackets are installed, tighten nuts. (See Figure 4)

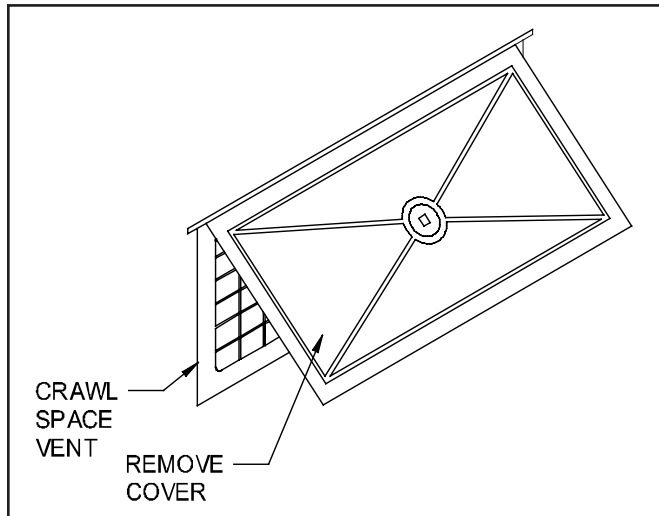


Figure 1

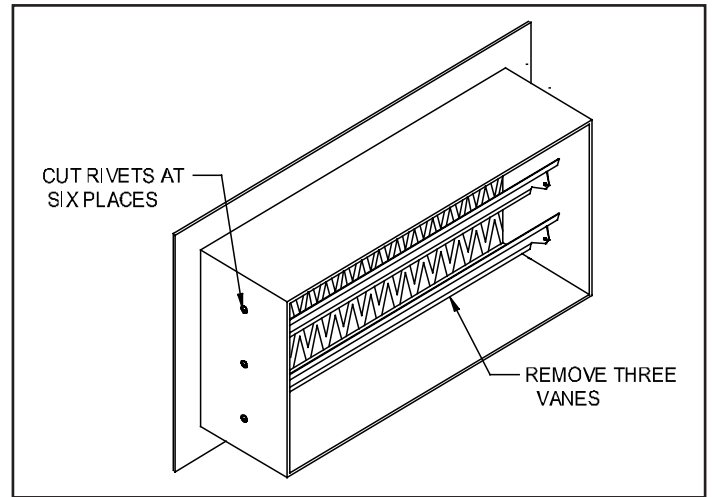


Figure 2

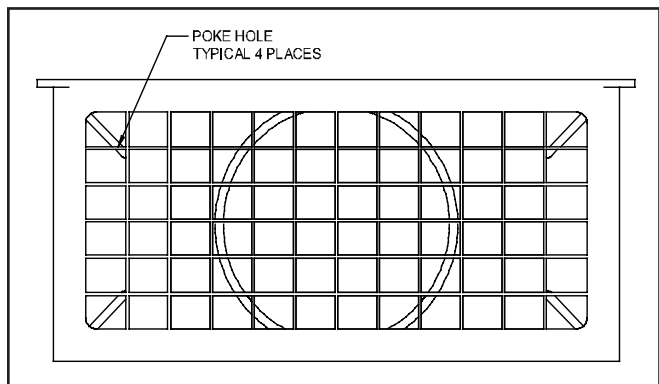


Figure 3

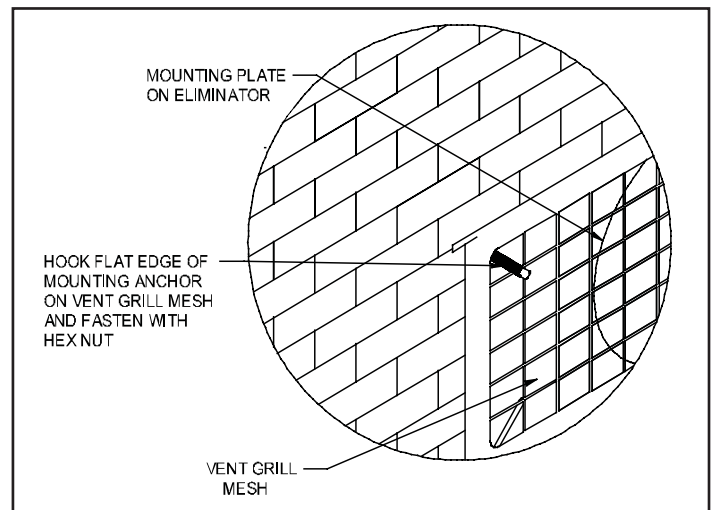


Figure 4

ELECTRICAL DATA

VOLTS	AMPS	HZ	WATTS	RPM	THERMAL OR IMPEDANCE PROTECTION
120 VAC	.60	60	35	3000	YES

A permanent wiring method must be used for power connection. It is recommended that a minimum size of 14 AWG wire for electrical supply connections and wiring should be suitable for 60°C (180°F) temperature. The ELIMINATOR™ should be wired with an over current protection device (fuse or circuit breaker) rated 15 amperes or less. Wiring method should be in accordance with the National Electrical Code and any local code requirements.

WIRING (See Figures 5 & 6)

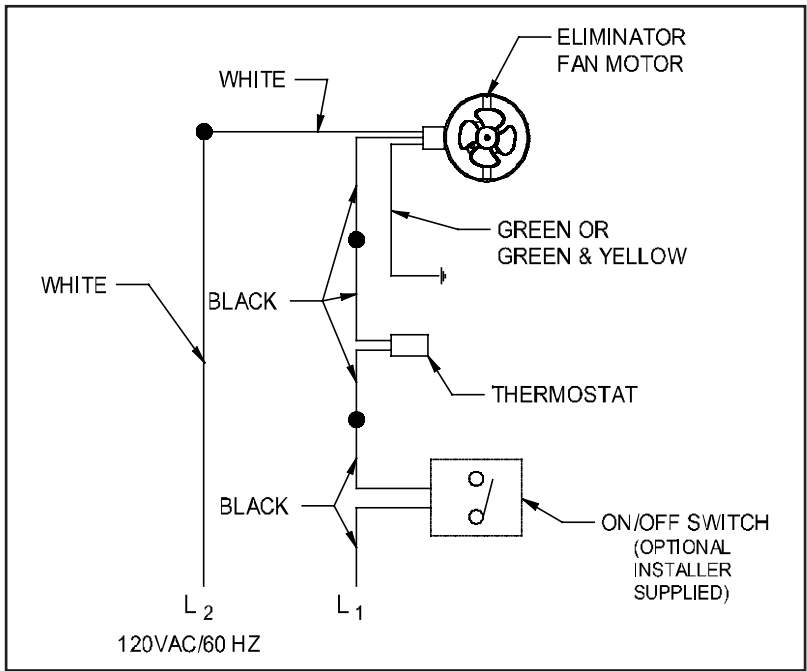


Figure 5

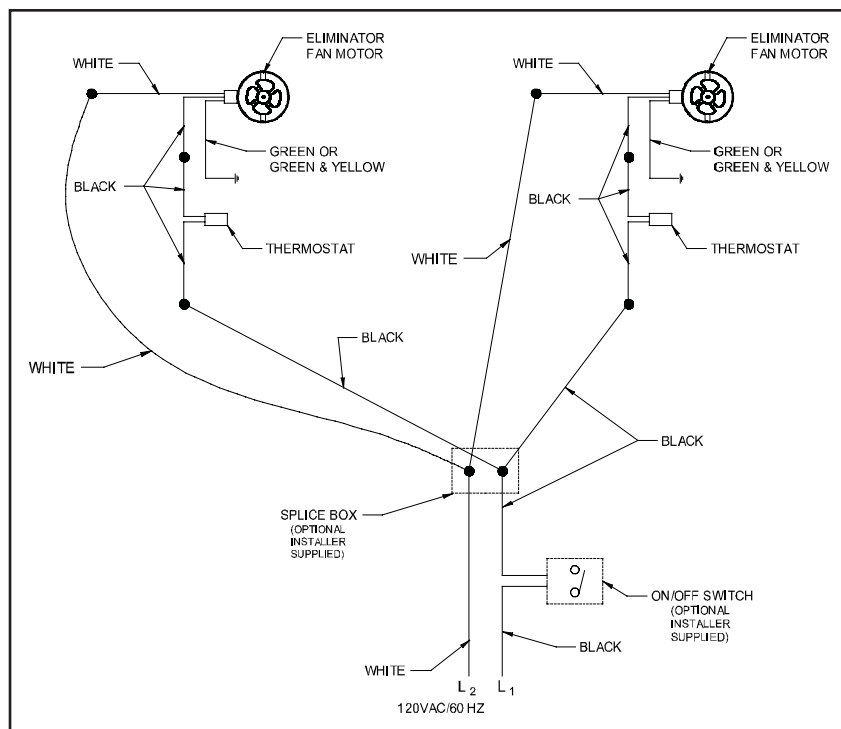


Figure 6

LIMITED WARRANTY

Field Controls, LLC ("Company") warrants that its products shall be free from defects in material and workmanship under normal use for the limited period indicated, **from the date of manufacture, subject to the provisions 1-8 below.**

Eighteen (18) months

All Field Controls Products (except for those listed below as 5 years or 90 days).

Five (5) years

Field Controls Direct Vent Systems (FDVS), Field Oil Vent Kits (FOVP), and ComboVents (CV).

Field Controls warrants that the products listed below shall be free from defects in material and workmanship under normal use for the limited period indicated, **from the date of purchase by the consumer, subject to the provisions 1-8 below.**

Ninety (90) days

UV lamps/bulbs

Provisions:

1. During the limited warranty period, Company, or its authorized service representative, will repair or replace, at Company's option, without charge, a defective Product. Product that is repaired may be repaired with new or refurbished replacement parts. Product that is replaced may be replaced with a new or refurbished product of the same or similar design. Company will return repaired or replacement Product to customer in working condition. Labor charges are not covered as part of the limited warranty.
2. With regard to UV lamps/bulbs, customer shall be required to include a "valid proof of purchase" (sales receipt) identifying the Product purchased (Product model or accurate date code information) and the date the Product(s) was purchased.
3. Product whose warranty/quality stickers, Product serial number plates or electronic serial numbers have been removed, altered or rendered illegible shall not be covered under the limited warranty.
4. Defective Product must be returned to Company, postage prepaid.
5. IN NO EVENT SHALL COMPANY BE LIABLE FOR ANY INDIRECT, SPECIAL, INCIDENTAL, CONSEQUENTIAL, OR SIMILAR DAMAGES (INCLUDING, BUT NOT LIMITED TO, LOST PROFITS OR REVENUE, INABILITY TO USE PRODUCT, OR OTHER ASSOCIATED EQUIPMENT, THE COST OF SUBSTITUTE EQUIPMENT, AND CLAIMS BY THIRD PARTIES) RESULTING FROM THE USE OF PRODUCT. Some states do not allow the exclusion or limitation of incidental or consequential damages, so the above limitation or exclusion may not apply to you.
6. THIS WARRANTY AND REMEDIES ARE EXCLUSIVE AND IN LIEU OF ALL OTHER WARRANTIES, REMEDIES AND CONDITIONS, WHETHER ORAL, WRITTEN, EXPRESS, STATUTORY OR IMPLIED. TO THE EXTENT PERMITTED BY LAW, COMPANY DISCLAIMS ALL IMPLIED AND STATUTORY WARRANTIES, INCLUDING WARRANTIES OF MERCHANTABILITY AND FITNESS FOR A PARTICULAR PURPOSE.
7. Company makes no warranty of any kind in regard to other manufacturer's products distributed by Company. Company will pass on all warranties made by the manufacturer and where possible, will expedite the claim on behalf of the customer, but ultimately, responsibility for disposition of the warranty claim lies with the manufacturer.
8. Product that has been subjected to misuse, accident, shipping or other physical damage, improper installation or application, abnormal operation or handling, neglect, fire, water or other liquid intrusion are not covered by the warranty.