

176-M18

18" Mirror

SPECIFICATION SHEET

Features

Mirror: 5/8" Beveled edge

Materials: Poplar solids with

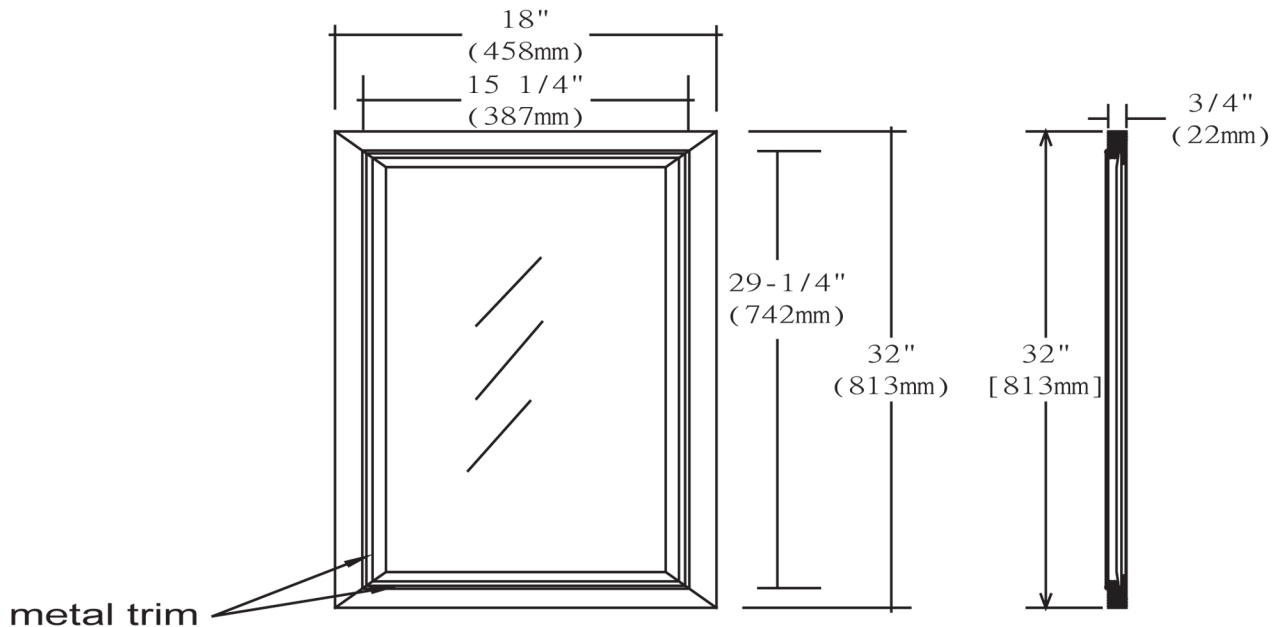
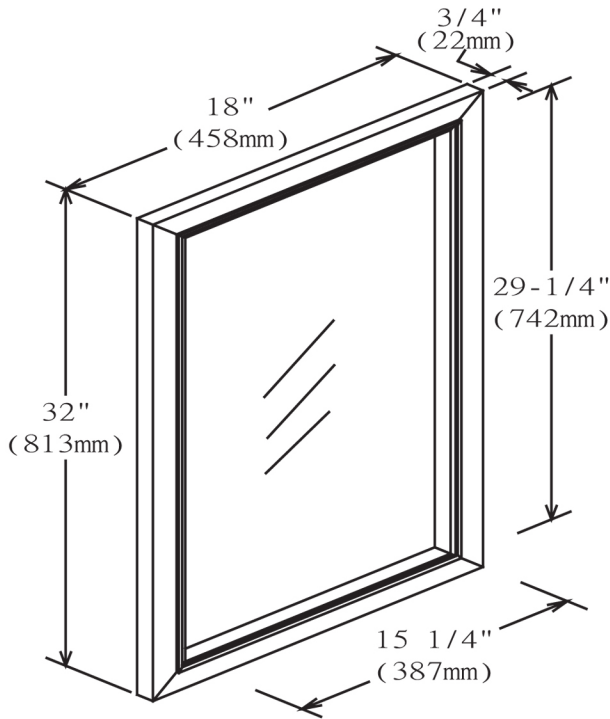
Teak engineered wood veneers

Mounting: Wire

Glass: 29-1/4" x 15-1/4"

Colors/ Finish:

176-Ash Blonde



Date: 2012/02/22