

# 111-VH6021D

## 60" Vanity-Double bowl

### SPECIFICATION SHEET

#### Features

Materials: Chinese Walnut solids with Am Walnut veneers

Glides: soft closing

Drawers: 2

Drawer Boxes: 1/2" solid pine, four sided English dovetail

Shelves: 1 (Adjustable)

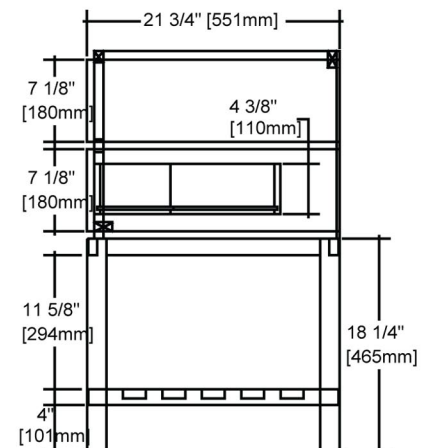
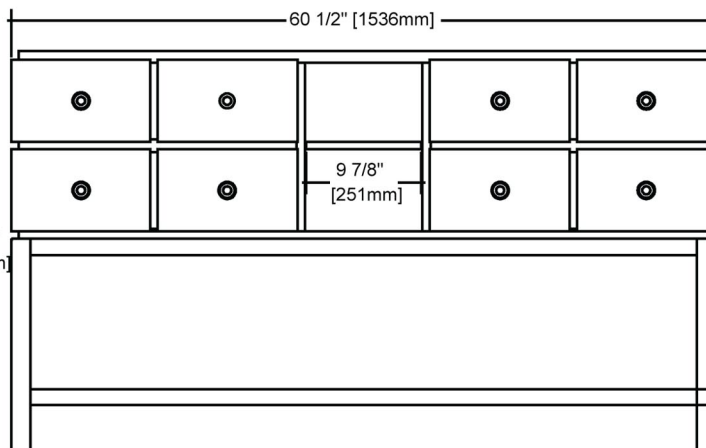
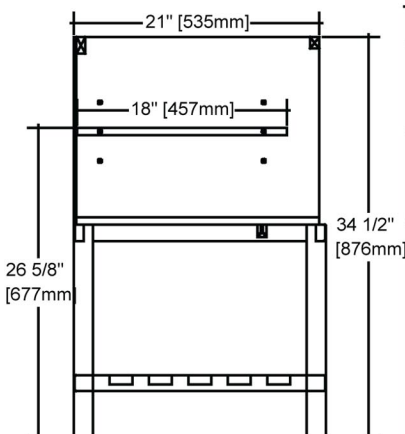
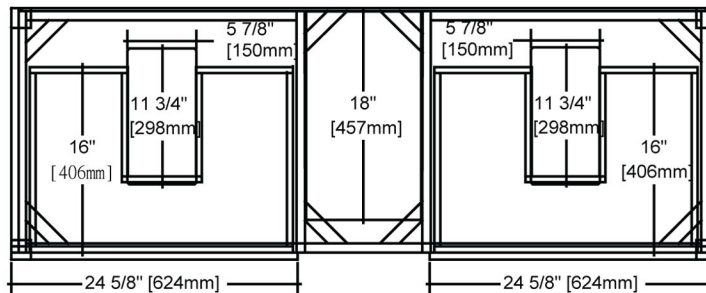
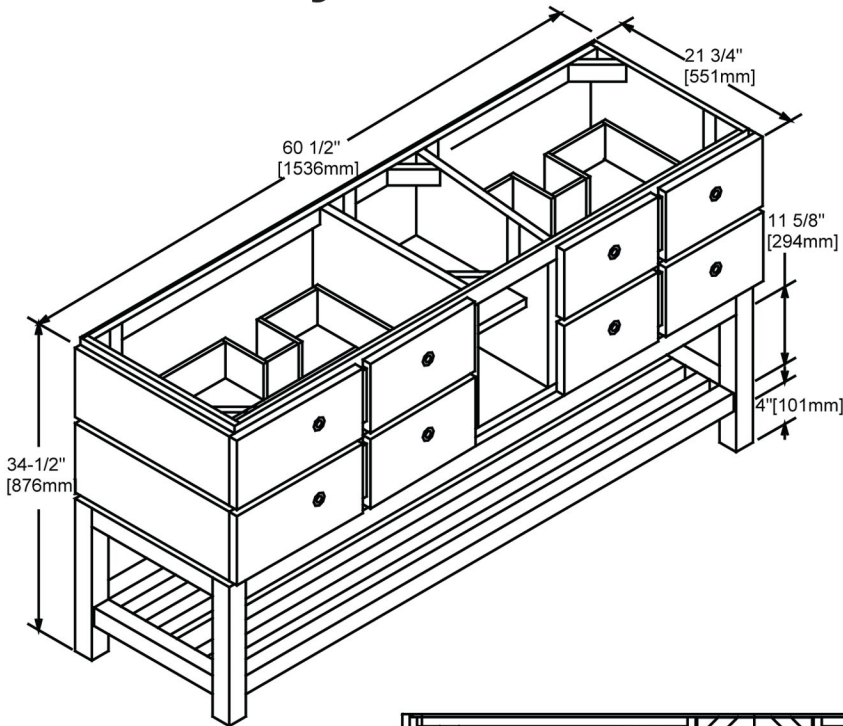
Hardware finish: Satin Nickel

Back panel: Fully covered

Side Panels: 5/8" MDF with Am Walnut veneers

#### Colors/ Finish

111-Natural Walnut



Date: 2012-07-14