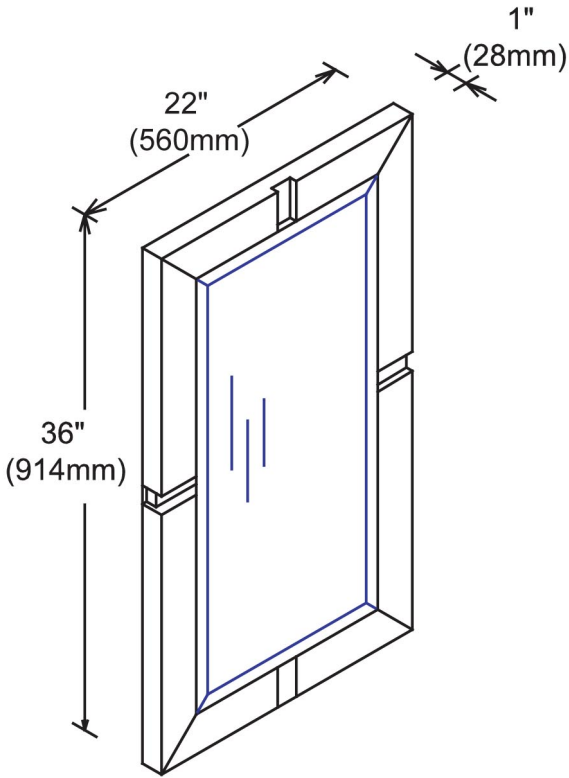
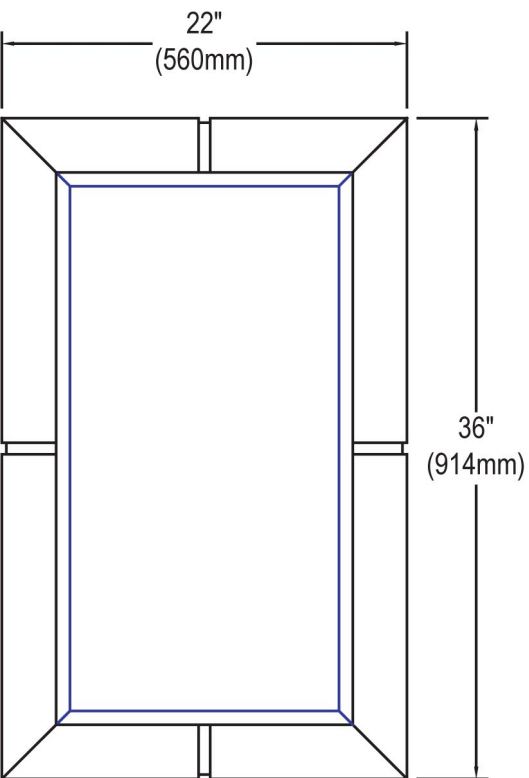


1.3D line drawing



3.Front view drawing



4.Side view line drawing

