

SPECIFICATIONS

GENERAL

High quality single bowl sink is seamlessly formed of brass, copper, or type 304 (18-8) nickel bearing stainless steel material. Specialty Collection brass or copper sinks are made from genuine solid, uncoated material and will naturally tarnish. Universal mount sinks can be installed as a drop-in or undermount. Both types of clips are included.

- SCF16FBBH** 18 gauge brass with hammered mirror finish
- SCF16FBBM** 18 gauge brass with mirror finish
- SCF16FBBS** 18 gauge brass with satin finish
- SCF16FBCH** 18 gauge copper with hammered mirror finish
- SCF16FBCM** 18 gauge copper with mirror finish
- SCF16FBCS** 18 gauge copper with satin finish
- SCF16FBSH** 20 gauge stainless steel with hammered mirror finish
- SCF16FBSM** 18 gauge stainless steel with mirror finish

DESIGN FEATURES

Bowl Depth: 7".
 Underside: Sound deadening pads on sides.
 Fastening Method: For drop-in application, utilize clips and attach to threaded stud (see illustration "A" below). For undermount application, utilize undermount clips (see illustration "B" below) – fasteners are not supplied.

OTHER

Drain Opening: 3-1/2".
 Brass and copper sink models furnished complete with matching drain and basket strainer.

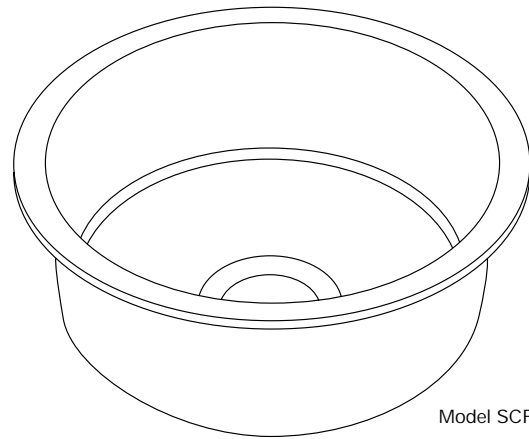


ILLUSTRATION A
Installation Profile for Drop-in Application

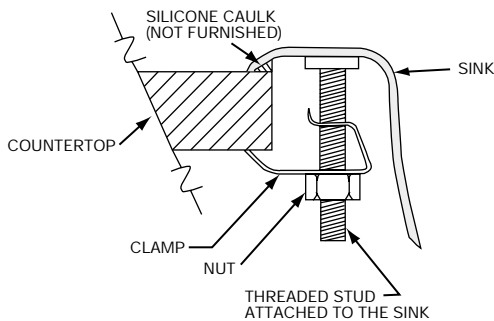
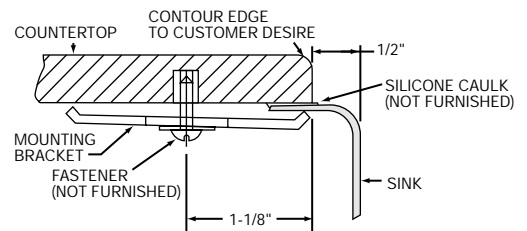


ILLUSTRATION B
Installation Profile for Undermount Application
 The template provided with each sink provides the only type of undermount installation recommended by Elkay.



SEE OTHER SIDE FOR PRODUCT DIMENSIONS.

ALL DIMENSIONS IN INCHES, TO CONVERT TO MILLIMETERS MULTIPLY BY 25.4.

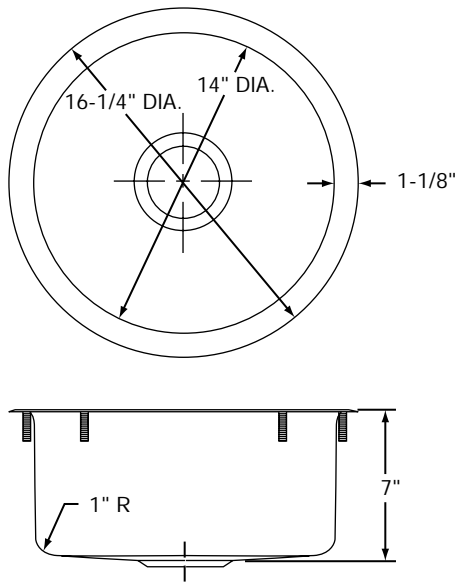
In keeping with our policy of continuing product improvement, Elkay reserves the right to change product specifications without notice.

This specification describes an Elkay product with design, quality and functional benefits to the user. When making a comparison of other producers' offerings, be certain these features are not overlooked.

SPECIFICATIONS

SINK DIMENSIONS (INCHES)

Model Number	O.D.	I.D.	D	Cutout in Countertop	Minimum Cabinet Size	Ship. Wt. Lbs.
SCF16FBBH	16 1/4	14	7	See Template for undermount application. For drop-in application use sink upside down as template and cut 5/16" INSIDE sink outline.	21	10
SCF16FBBM	16 1/4	14	7		21	10
SCF16FBBS	16 1/4	14	7		21	10
SCF16FBCH	16 1/4	14	7		21	10
SCF16FBCM	16 1/4	14	7		21	10
SCF16FBCS	16 1/4	14	7		21	10
SCF16FBSH	16 1/4	14	7		21	9
SCF16FBSM	16 1/4	14	7		21	9



Model SCF16FB