

ELKAY[®]

SPECIFICATIONS

The Mystic™ by Elkay Undermount Sink Model MYSTIC2812

GENERAL

Highest quality contoured sink formed of #16 gauge, type 304 (18-8) nickel bearing stainless steel. Comes complete with LK8 grid strainer.

DESIGN FEATURES

Bowl Depth: Sloping from 2-5/8" to 4-1/2".

Finish: Exposed surfaces are hand blended to a lustrous satin finish.

Underside: Fully undercoated to dampen sound and prevent condensation.

OTHER

Drain Opening: 2".

Note: All Elkay undermount sinks are designed to affix to the underside of any solid surface countertop.

Installation: See illustrated profile below.

This sink complies with ASME Standard A112.19.3.



This sink is listed by the International Association of Plumbing and Mechanical Officials as meeting the requirements of the Uniform Plumbing Code.

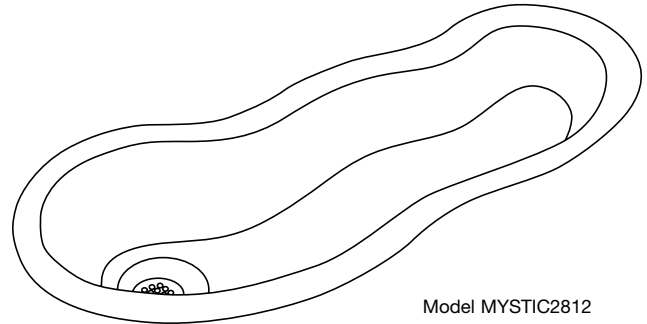
SINK DIMENSIONS (INCHES)*

| Model Number | Overall | | Inside Bowl | | | Cutout in Countertop | Minimum Cabinet Size |
|--------------|---------|--------|-------------|---|----------------|----------------------|----------------------|
| | L | W | L | W | D | | |
| MYSTIC2812 | 28 | 12 1/2 | 25 | † | 2 5/8 to 4 1/2 | See Template** | 33 |

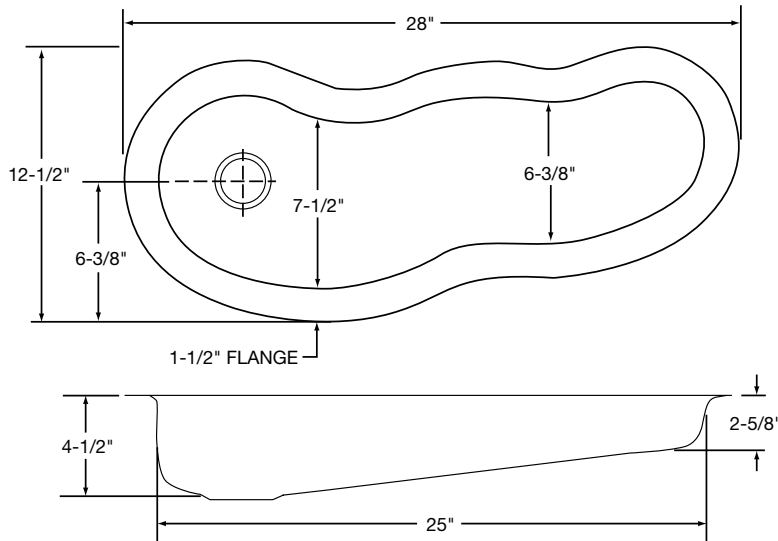
*Length is left to right. Width is front to back.

**Template and countertop mounting clips are packed with every sink.

†See below for an illustration.

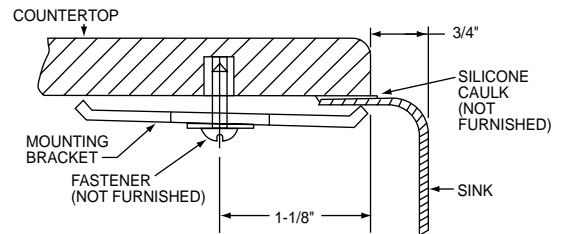


Model MYSTIC2812



Installation Profile

The template provided with each sink provides the only type of installation recommended by Elkay.



ALL DIMENSIONS IN INCHES, TO CONVERT TO MILLIMETERS MULTIPLY BY 25.4.

In keeping with our policy of continuing product improvement, Elkay reserves the right to change product specifications without notice.

This specification describes an Elkay product with design, quality and functional benefits to the user. When making a comparison of other producers' offerings, be certain these features are not overlooked.