

ELKAY[®]

SPECIFICATIONS

The Mystic[®] by Elkay Undermount Sink Model MYSTIC2717CB

GENERAL

Highest quality contoured sink seamlessly formed of #18 gauge, type 304 (18-8) nickel bearing stainless steel. Includes CB2919 styled cutting board.

DESIGN FEATURES

Bowl Depth: 8".

Finish: Exposed surfaces are polished to a lustrous starburst satin finish.

Underside: Fully protected by heavy duty Sound Guard[®] undercoating designed to prevent condensation and dampen sound.

OTHER

Drain Opening: 3-1/2".

NOTE: All Elkay undermount sinks are designed to affix to the underside of any solid surface countertop.

Installation: See illustrated profile below.

This sink complies with ASME A112.19.3.

OPTIONAL ACCESSORIES

Rinsing Baskets: LKWRB2115SS, LKWERBSS.

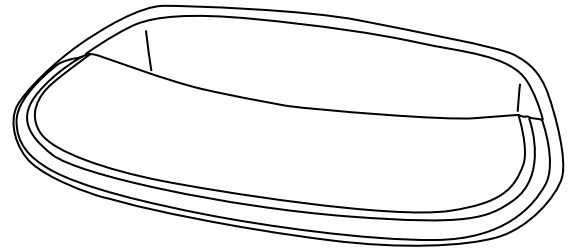
Utensil Caddy for Rinsing Basket: LKWUCSS.

SINK DIMENSIONS (INCHES)*

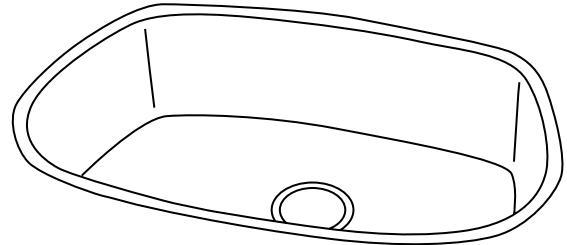
Model Number	Overall		Inside Bowl			Cutout in Countertop See Template**	Minimum Cabinet Size
	L	W	L	W	D		
MYSTIC2717CB	31	19 ⁵ / ₈	27 ¹ / ₈	16 ³ / ₄	8		36

*Length is left to right. Width is front to back.

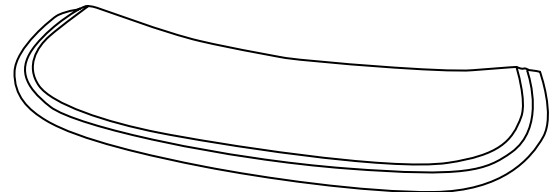
**Template and countertop mounting clips are packed with every sink.



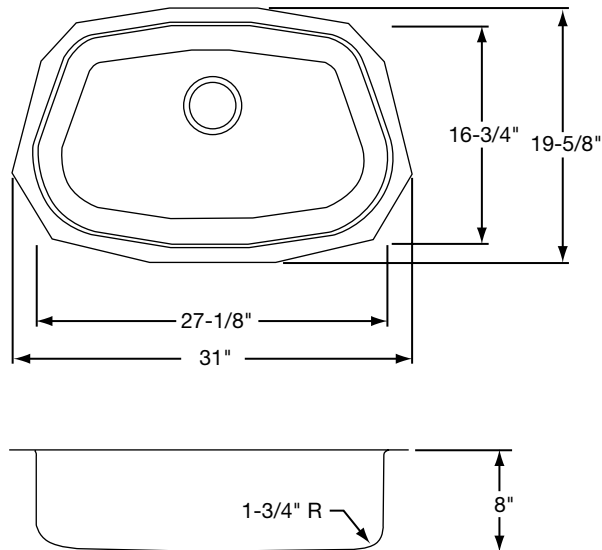
Model MYSTIC2717CB



Model MYSTIC2717CB
(Without Cutting Board)

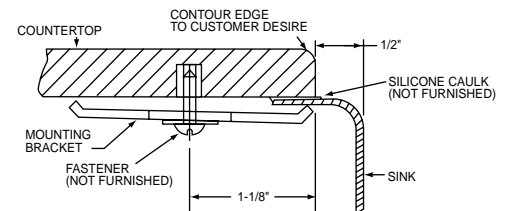


Model CB2919
Cutting Board



Installation Profile

The template provided with each sink provides the only type of installation recommended by Elkay.



ALL DIMENSIONS IN INCHES, TO CONVERT TO MILLIMETERS MULTIPLY BY 25.4.

In keeping with our policy of continuing product improvement, Elkay reserves the right to change product specifications without notice.

This specification describes an Elkay product with design, quality and functional benefits to the user. When making a comparison of other producers' offerings, be certain these features are not overlooked.