

ELKAY[®]

SPECIFICATIONS

Vandal-Resistant EZH2O[®] Bottle Filling Station with Bi-Level Filtered Vandal-Resistant Cooler Models LVRCTL8WS & LVRCTLDDWS

RATED FOR INDOOR USE ONLY

PRODUCT SPECIFICATION

Unit shall include bi-level electric water cooler with bottle filling station. LVRCTL8WS shall deliver 8 GPH of 50°F drinking water at 90°F ambient and 80°F inlet water. LVRCTLDDWS shall deliver non-chilled drinking water. Units shall be stainless steel construction and include vandal-resistant pushbutton activation. Cooler shall include vandal-resistant bubbler. Bottle filling unit shall include an automatic 20-second shut-off timer. Shall include Green Ticker™ displaying count of plastic bottles saved from waste. Bottle filler shall provide 1.1 - 1.5 gpm flow rate with laminar flow to minimize splashing. Shall include the WaterSentry[®] Plus 3000-gallon capacity filter, certified to NSF/ANSI 42 and 53, with visual monitor to indicate when replacement is necessary. Unit shall meet ADA guidelines. Unit shall be lead free design which is certified to NSF/ANSI 61 and 372 and meets federal and state low lead requirements. Unit shall be certified to UL399 and CAN/CSA 22.2 No 120.

STANDARD FEATURES

- Vandal-resistant pushbutton activation
- Automatic 20-second shut-off on Bottle Filler
- WaterSentry[®] Plus 3000-gallon capacity Filtration System, certified to NSF/ANSI 42 and 53 (Lead, Class 1 Particulate, Chlorine, Taste and Odor)
- Quick Fill Rate: 1.1 gpm (LVRCTL8WS); 1.5 gpm (LVRCTLDDWS)
- Laminar Flow provides minimal splash
- Real Drain System eliminates standing water
- Visual User interface display includes:
 - Innovative Green Ticker™ counts bottles saved from waste
 - LED Visual Filter Monitor shows when replacement is necessary
 - Includes Vandal-resistant bubbler
- Cooler panel finish: Stainless Steel

COOLING SYSTEM (Models LVRCTL8WS only)

- Compressor: Hermetically sealed, reciprocating type, single phase. Sealed-in lifetime lubrication.
- Condenser: Fan cooled, copper tube with aluminum fins. Fan motor is permanently lubricated.
- Cooling unit: Combination tube-tank type. Self-cleansing. Continuous copper tubing with stainless steel tank. Fully insulated with EPS foam which meets UL requirements for self-extinguishing material.
- Refrigerant Control: Refrigerant R134a is controlled by accurately calibrated capillary tube.
- Temperature Control: Easily accessible enclosed adjustable thermostat is factory preset. Requires no adjustment other than for altitude requirements.



Models LVRCTL8WSK
or LVRCTLDDWSK

CONSTRUCTION





- Stainless steel basin with integral drain
- Galvanized structural steel cooler chassis provides structural integrity
- Stainless steel construction bottle filler
- Cooler cabinet is stainless steel construction
- Vandal-resistant bubbler is one-piece, heavy-duty chrome plated

REPLACEMENT FILTERS: Available as singles and multi-packs. Order part numbers:

- 51300C (single)
- 51300C_3PK (three)
- 51300C_12PK (twelve)
- 51300C_24PK (twenty-four)
- 51300C_48PK (forty-eight)

WARRANTY

5 Year limited warranty on the unit's refrigeration system. Electrical components and water system are warranted for 12 months from date of installation or 18 months from factory shipment, whichever date falls first.

CAPACITIES CHART									
Model	Voltage / Hertz	Chilling Capacity**	F.L. Amps	Rated Watts	Approx. Shipping Wt. (lb)	UL399 and CAN/CSA 22.2 No. 120 Certified	ADA Compliant	ANSI/NSF 61 & 372 Certified	GreenSpec [®] Listed
LVRCTL8WSK	115V / 60Hz	8 GPH	5.0	370	114	•	•	•	•
LVRCTL8WS2K	220V / 50Hz	6.7 GPH	2.5	370	114	++	•	•	•
LVRCTL8WS3K	220V / 60Hz	8 GPH	2.5	370	114	++	•	•	•
LVRCTLDDWSK	115V / 60Hz	-	1.0	15	86	•	•	•	•
LVRCTLDDWS2K	220V / 50Hz	-	0.5	15	86	++	•	•	•
LVRCTLDDWS3K	220V / 60Hz	-	0.5	15	86	++	•	•	•

**Based on 80°F inlet water and 90°F ambient air temp for 50°F chilled drinking water.
++Complies; not third party certified

This specification describes an ElKay product with design, quality and functional benefits to the user. When making a comparison of other producers' offerings, be certain these features are not overlooked.

**Vandal-Resistant EZH2O® Bottle Filling Station
with Bi-Level Filtered Vandal-Resistant Cooler
Models LVRCTL8WS & LVRCTLDDWS**

**ELKAY®
ROUGH-IN DIMENSIONS**

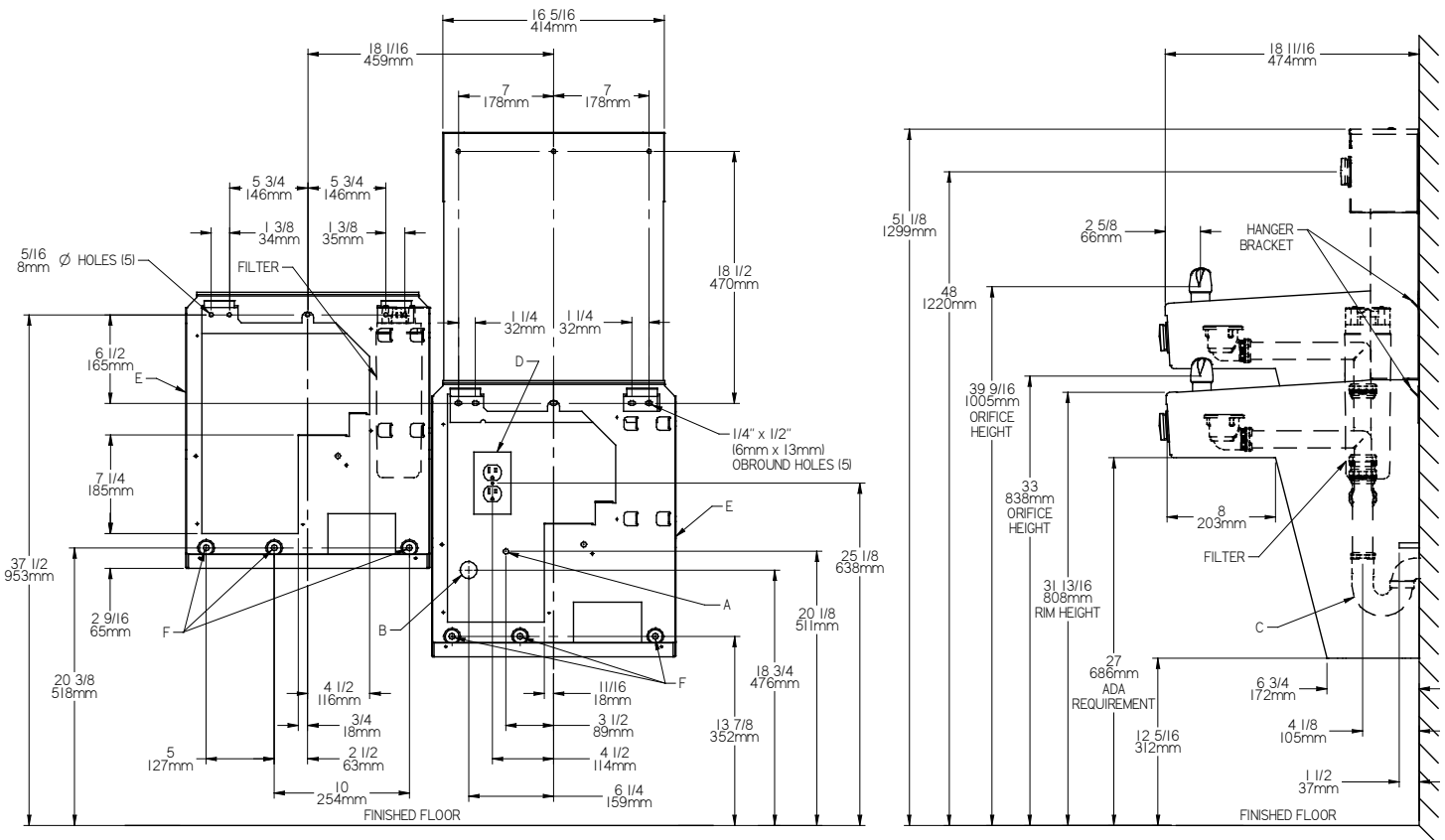
RATED FOR INDOOR USE ONLY

IMPORTANT! INSTALLER PLEASE NOTE:

These units are designed and built to provide water to the user which has not been altered by materials in the cooler waterway. The grounding of electrical equipment such as telephone, computers, etc. to water lines is a common procedure. This grounding may be in the building buy may also occur away from the building. This grounding can cause electrical feedback into a water cooler creating an electrolysis which results in a metallic taste or an increase in the metal content of the water. This condition is avoidable by installing the cooler using the proper materials as shown.

NOTICE:

This water cooler must be connected to the water supply using a dielectric coupling. The cooler is furnished with a non-metallic strainer which meets this requirement. The drain trap which is provided by the installer should also be plastic to completely isolate the cooler from the building plumbing system.



REDUCE HEIGHT BY 3" FOR INSTALLATION OF CHILDREN'S ADA COOLER

LEGEND:

- A = Recommended Water Supply location. Shut-off Valve (not furnished) to accept 3/8" O.D. unplated copper tube. Up to 3" (38mm) maximum out from wall.
 - B = Recommended Waste Outlet location. To accommodate 1-1/2" nominal drain. Drain stub 2" (51mm) out from wall.
 - C = 1-1/2" Trap (not furnished).
 - D = Electrical Supply (3) Wire Recessed Box Duplex Outlet.
 - E = Insure proper ventilation by maintaining 6" (152mm) minimum clearance from cabinet louvers to wall.
 - F = 7/16" (11mm) Bolt Holes for fastening to wall.
- NOTE: Installations Must Use Ground Fault Circuit Interrupter. (GFCI)

Job Name: _____

Model: _____ Qty. _____

Contact: _____

Approval Signature: _____

Notes: