

ELKAY® SPECIFICATIONS

Lustertone® Single Bowl Sink Models LR2522, LRQ2522 and LRAD2522, LRADQ2522 - A.D.A. Compliant Series Sink

GENERAL

Highest quality sink seamlessly formed of #18 gauge, type 304 (18-8) nickel bearing stainless steel. Self-rimming.

DESIGN FEATURES

LR(Q)2522 Bowl Depth: 8-1/8".

LRAD(Q)2522 Bowl Depth: 5-1/2", 6" or 6-1/2".

Coved Corners: 1-3/4" vertical and horizontal radius.

Bowl Recess: 3/8" drop ledge with a raised faucet deck.

Finish: Exposed surfaces are hand blended to a lustrous highlighted satin finish.

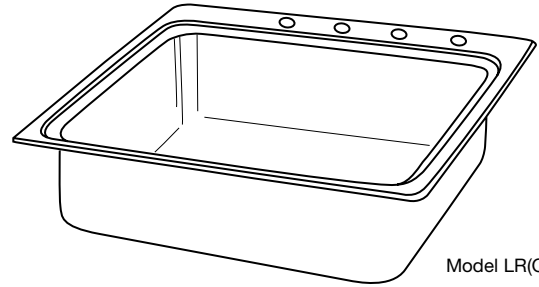
Underside: LR(Q)2522 is fully protected by heavy duty Sound Guard® undercoating to dampen sound and prevent condensation. LRAD(Q)2522 is fully undercoated to dampen sound and prevent condensation.

OTHER

LR(Q)2522 Drain Opening: 3-1/2" and centered in bowl as illustrated.

LRAD(Q)2522 Drain Opening: 3-1/2" and located centered left-to-right and off-center front-to-back as illustrated.

NOTE: Unless otherwise specified sink is furnished with 4 faucet holes as shown.



Model LR(Q)25224

OPTIONAL ACCESSORIES

Rinsing Baskets: LKRB1520 or LKERBSS.

Bottom Grids: LKBG2015 for LR(Q)2522, LKOBG2015 for LRAD(Q)2522.

Cutting Boards: CB1516 or CB1713.

These sinks comply with ANSI Standard A112.19.3M.



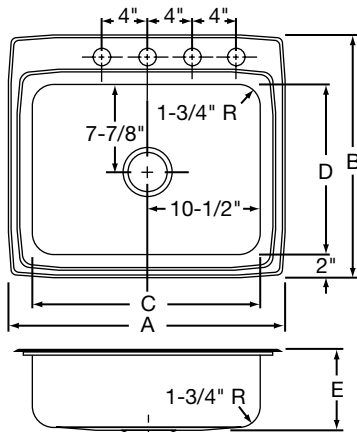
These sinks are listed by the International Association of Plumbing and Mechanical Officials as meeting the requirements of the Uniform Plumbing Code.

SINK DIMENSIONS (INCHES)*

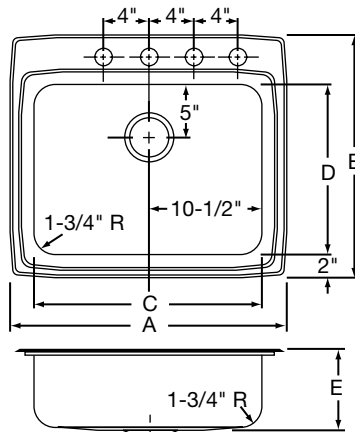
U-Channel Model Number	Quick-Clip® Model Number	Overall		Inside Bowl			Cutout in Countertop (1 1/2" Radius Corners)		No. of 1 1/2" Dia. Faucet Holes 4" Center	3 1/2" Drain" Opening (see above for details)	Minimum Cabinet Size	Ship. Wt. Lbs.
		L	W	L	W	D	L	W				
		A	B	C	D	E	L	W				
LR2522	LRQ2522	25	22	21	15 3/4	8 1/8	24 3/8	21 3/8	1, 2, MR2, 3, 4 or 5	Centered	30	15
LRAD2522	LRADQ2522	25	22	21	15 3/4	**	24 3/8	21 3/8	1, 2, MR2, 3, 4 or 5	Off-Centered	30	15

*Length is left to right. Width is front to back.

**Available in 5-1/2", 6" and 6-1/2" depths. Please consult your sales representative for other depths or modifications.



Model LR(Q)25224 Illustrated



Model LRAD(Q)25224 Illustrated

THIS PRODUCT, AS CONSTRUCTED IS SUBJECT TO INTERPRETATION OF A.D.A. REQUIREMENTS. THE UNOBSTRUCTED KNEE SPACE REQUIRED TO SATISFY A.D.A. STANDARDS MAY NOT BE DESIRABLE.

ALL DIMENSIONS IN INCHES, TO CONVERT TO MILLIMETERS MULTIPLY BY 25.4.

In keeping with our policy of continuing product improvement, Elkay reserves the right to change product specifications without notice.

This specification describes an Elkay product with design, quality and functional benefits to the user. When making a comparison of other producers' offerings, be certain these features are not overlooked.

Elkay

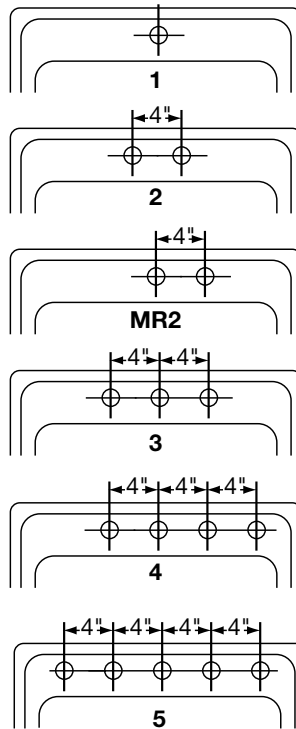
www.elkayusa.com

2222 Camden Court
Oak Brook, IL 60523

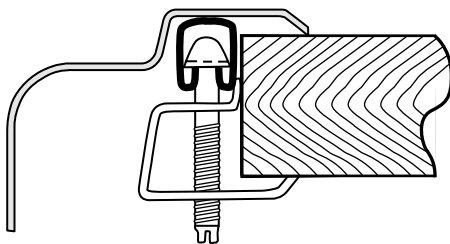
Printed in U.S.A.
©2005 Elkay

(Rev. 1/05) 1-61G

**HOLE DRILLING
CONFIGURATIONS**



U-Channel Type Mounting System



Quick-Clip® Mounting System

