

ELKAY® SPECIFICATIONS

Lustertone® Double Bowl Sink Models LMR3322 and LMRQ3322

GENERAL

Highest quality sink bowls seamlessly formed of #18 gauge, type 304 (18-8) nickel bearing stainless steel. Self-rimming.

DESIGN FEATURES

Bowl Depths: 5-1/8" (left bowl), 7-7/8" (right bowl).
 Coved Corners: 3" and 1-3/4" vertical and horizontal radius.
 Bowl and Faucet Deck Recess: 3/16" below outside edge of sink.
 Finish: Exposed surfaces are hand blended to a lustrous high-lighted satin finish.
 Underside: Fully protected by heavy duty Sound Guard® under-coating to dampen sound and prevent condensation.

OTHER

Drain Opening: 3-1/2".
 NOTE: Unless otherwise specified, sink is furnished with 4 faucet holes as shown.
 These sinks comply with ANSI Standard A112.19.3M.

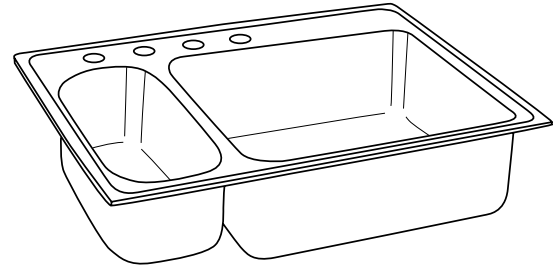
OPTIONAL ACCESSORIES

Rinsing Baskets: LKRB1520, LKRB715 or LKERBSS.
 Bottom Grid: LKBG2015.
 Cutting Board: CB816 or CBS715.

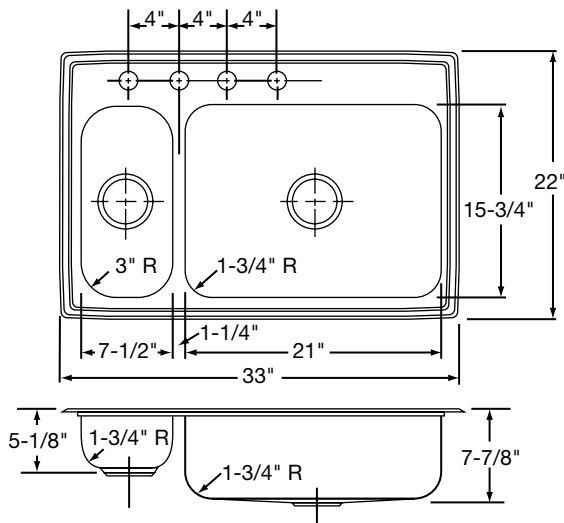
SINK DIMENSIONS (INCHES)*

U-Channel Model Number	Quick-Clip® Model Number	Overall		Inside Left Bowl			Inside Right Bowl			Cutout in Countertop (1 1/2" Radius Corners)		No. of 1 1/2" Dia. Faucet Holes 4" Centers	Minimum Cabinet Size	Ship. Wt. Lbs.
		L	W	L	W	D	L	W	D	L	W			
LMR3322	LMRQ3322	33	22	7 1/2	15 3/4	5 1/8	21	15 3/4	7 7/8	32 3/8	21 3/8	1, 2, MR2, 3, 4, or 5	36	21

*Length is left to right. Width is front to back.

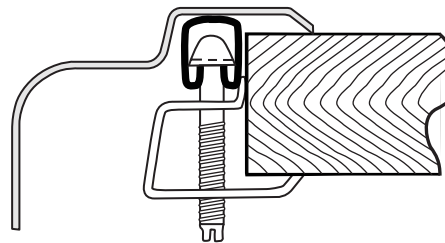


Model LMR(Q)33224

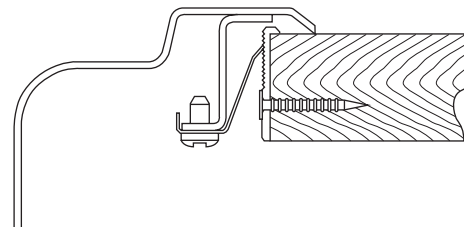


Model LMR33224 Illustrated

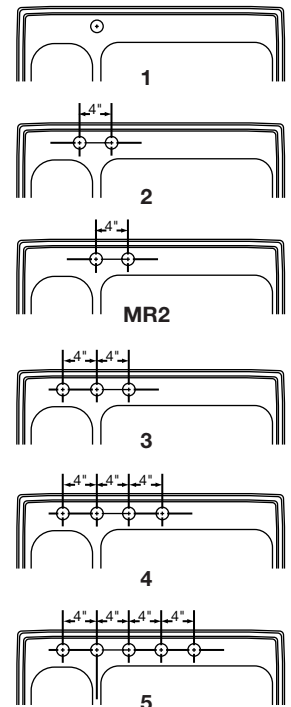
U-Channel Type Mounting System



Quick-Clip® Mounting System



HOLE DRILLING CONFIGURATIONS



ALL DIMENSIONS IN INCHES, TO CONVERT TO MILLIMETERS MULTIPLY BY 25.4.

In keeping with our policy of continuing product improvement, Elkay reserves the right to change product specifications without notice.

This specification describes an Elkay product with design, quality and functional benefits to the user. When making a comparison of other producers' offerings, be certain these features are not overlooked.