

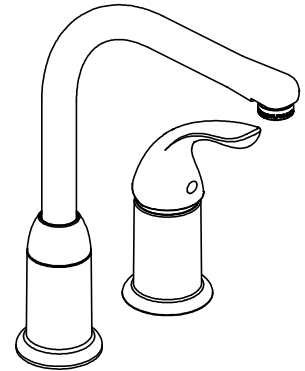
ELKAY®

SPECIFICATIONS

FEATURES

- Removable ceramic disc cartridge
- Two 1 3/8" (35mm) diameter faucet holes required
- 1.5GPM flow regulator installed
 - Optional 2.2GPM flow regulator also included with the faucet
- 3/8" diameter copper tube supply lines with 1/2" male IPS adaptors
- 45° spout rotation
- Max countertop thickness: 2.5" (63mm)
- Chrome finish
- 36" Flexible nylon connector hose
- Ship weight: 3.6 lbs (1.6 kg)

Remote Handle Kitchen Faucet Model LKF413945RS



WARRANTY

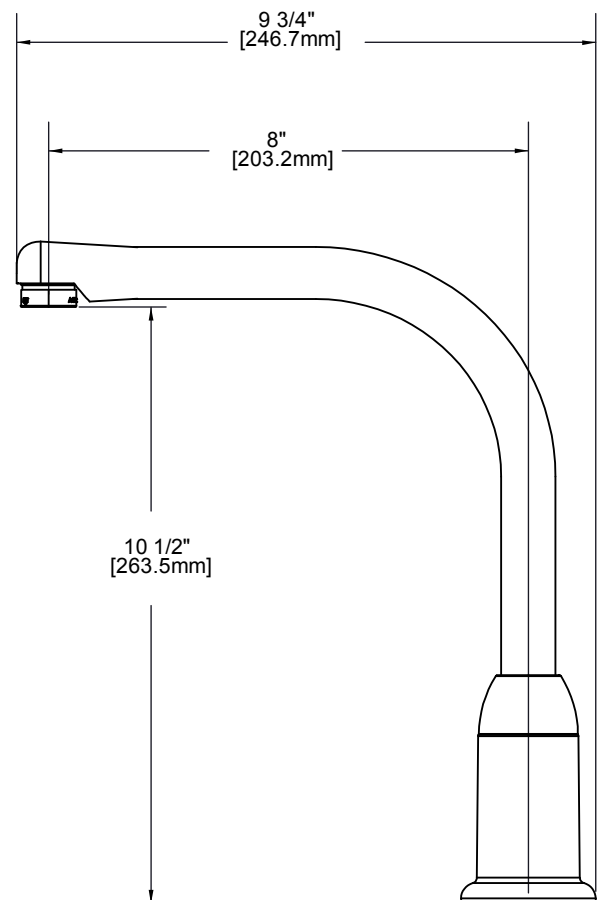
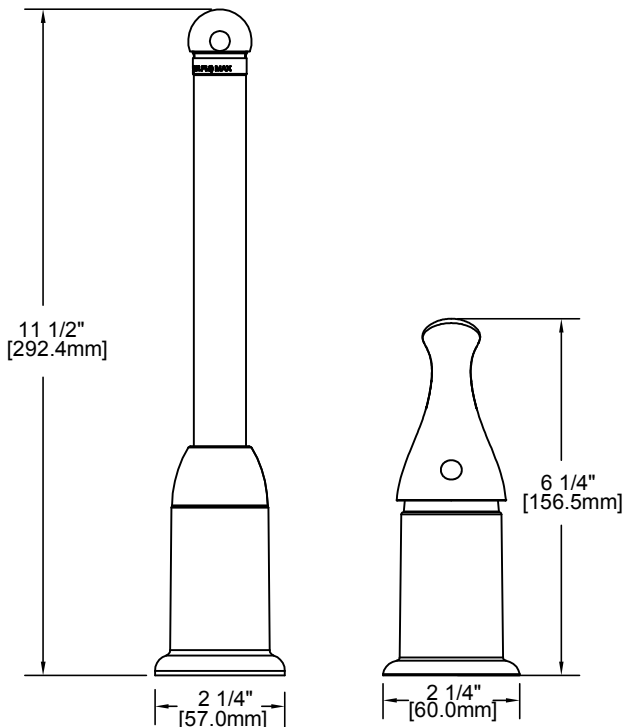
- Limited Lifetime

ACCESSORIES (Sold Separately):

- LK105 - Air gap
- LK3712 - Swivel Aerator
- A55061 - Vandal Resistant Aerator

COMPLIES WITH:

- ADA
- cUPC
- ANSI/NSF61
- CA AB1953
- ASME A112.18.1/CSA B125.1



Please reference Installation Instructions for replacement parts.

Elkay

elkayusa.com

2222 Camden Court, Oak Brook, IL 60523

1-630-574-8484 Fax: 1-630-574-4509

©2013 Elkay

SPEC00021A (4/13)