

SPECIFICATIONS

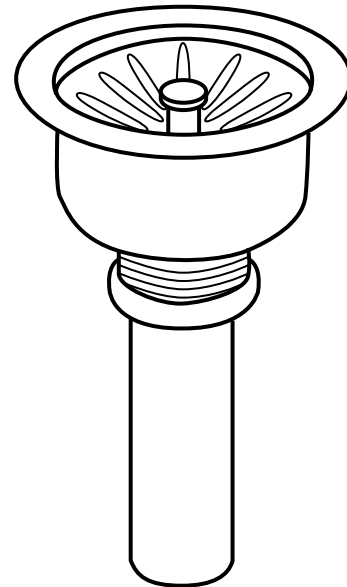
GENERAL

Strainer body made of 300 Series stainless steel.

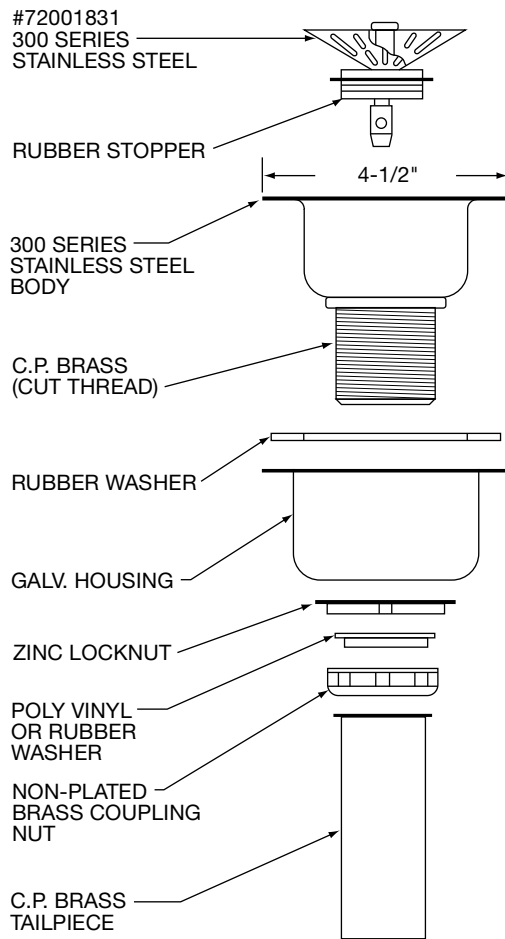
DESIGN FEATURES

Fits 3-1/2" opening, with overall top diameter of approx. 4-1/2". Electro bright finish with push and lock stem basket and rubber stopper. Chrome plated brass knob and flange have high polish finish. Chrome plated 4" length, 1-1/2" overall diameter tailpiece included. Ship Wt. 1-1/2 lbs.

Sold as an accessory item only.



Model LK99



ALL DIMENSIONS IN INCHES, TO CONVERT TO MILLIMETERS MULTIPLY BY 25.4.

In keeping with our policy of continuing product improvement, Elkay reserves the right to change product specifications without notice.

This specification describes an Elkay product with design, quality and functional benefits to the user. When making a comparison of other producers' offerings, be certain these features are not overlooked.