

**Anti-Scald Thermostatic Mixing Valve
Model LK723**

ELKAY®

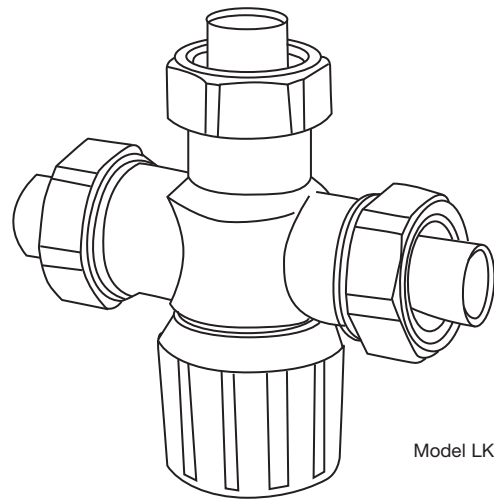
SPECIFICATIONS

GENERAL

LK723 Anti-scald thermostatic mixing valve with nickel plated brass body, 1/2" (13mm) union SWT inlets and outlet connection. Comes with internal check valves on inlets and mixed temperature range of 80° – 120°F. Ship. Wt. 2 lbs.



Certified under ASSE 1016.



Model LK723

