

ELKAY® SPECIFICATIONS

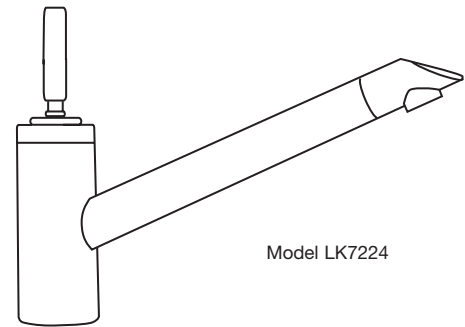
Arezzo™ Single Handle Kitchen Faucet Model LK7224

GENERAL FEATURES

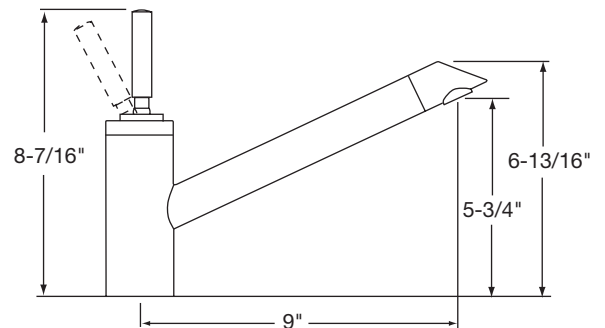
- Single hole top mount installation
 - 1-1/2" diameter faucet hole required
 - Maximum countertop thickness 1-1/2"
- Single-lever faucet
- Ceramic disc cartridge
- Spout height is 5-3/4" from deck to aerator
- Spout reach is 9"
- Swivel aerator
- Solid brass construction
- Model LK7224SS has solid stainless steel body
- Flexible supply tubes with 1/2" male IPS adapters
- Limited Lifetime Warranty
- Available in the following finishes
 - Brushed chrome **LK7224BC**
 - Brushed nickel **LK7224NK**
 - Chrome **LK7224CR**
 - Stainless steel **LK7224SS**
- Maximum flow rate
 - 2.5 GPM/9.5 L/min at 80 P.S.I.G.
 - 2.2 GPM/8.3 L/min at 60 P.S.I.G.
- Ship weight is 6 lbs.
- Due to the weight of this faucet, Elkay recommends that it be installed to an 18 gauge stainless steel sink (or heavier) or to a solid surface countertop

CODES/STANDARDS

- ASME/ANSI A112.18.1
- ANSI/NSF 61
- IAPMO/UPC
- ADA compliant



Model LK7224



ELKAY LIMITED LIFETIME FAUCET WARRANTY ON RESIDENTIAL FAUCETS

Limited Lifetime Functional and Finish Warranty

Elkay warrants to the original consumer purchaser that the Elkay faucet purchased will be free from defects in material and workmanship for as long as the original consumer purchaser owns the faucet. Elkay will, at its option, supply replacement parts (or if no longer available a comparable product) if the faucet fails due to a defect in material or workmanship. This warranty does not apply in the event of product surface damage caused by abuse, misuse or improper care and maintenance. This warranty excludes damage caused by harsh or abrasive cleaners and/or materials. This warranty excludes all industrial, commercial and business use, whose purchasers are hereby extended a limited lifetime on mechanical parts and 5 years on finish. Product replacement does not include transportation cost or labor installation cost. Elkay reserves the right to examine product in question and its installation prior to replacement.

OTHER WARRANTY CONDITIONS ON FAUCETS

Our warranty does not cover product failure or damage caused by abusive treatment, misuse, environmental factors, improper care and cleaning, or damage due to handling or faulty installations. This warranty is extended only to the original consumer purchaser of the product. This warranty does not cover shipping costs, labor costs, or any other charges for such items as installation or replacement of the sink, diagnosis or replacement of any faucet or component part, or any other expense or loss.

All incidental or consequential damages are specifically excluded. No additional warranties, express or implied are given. Any implied warranty, including one of merchantability or fitness for a particular purpose, is limited to the duration of this written warranty.

Some states do not allow the exclusion or limitation of incidental or consequential damages or limitations on how long an implied warranty lasts, so the above limitations or exclusions may not apply to you.

This warranty gives you specific legal rights, and you may also have other rights which vary from state to state.

TO OBTAIN SERVICE UNDER WARRANTY

1. Write to: Elkay
Attention: Consumer Services
2222 Camden Court
Oak Brook, IL 60523
2. Include a letter containing the following information:
 - a. Date of purchase and installation
 - b. Description of nature of defect
 - c. Model number or description of model and/or component part if possible.