

ELKAY® SPECIFICATIONS

Sink Accessories Drain Fitting with Rubber Stopper and Standpipe Overflow Models LK2, LK20, LK373 and LK374

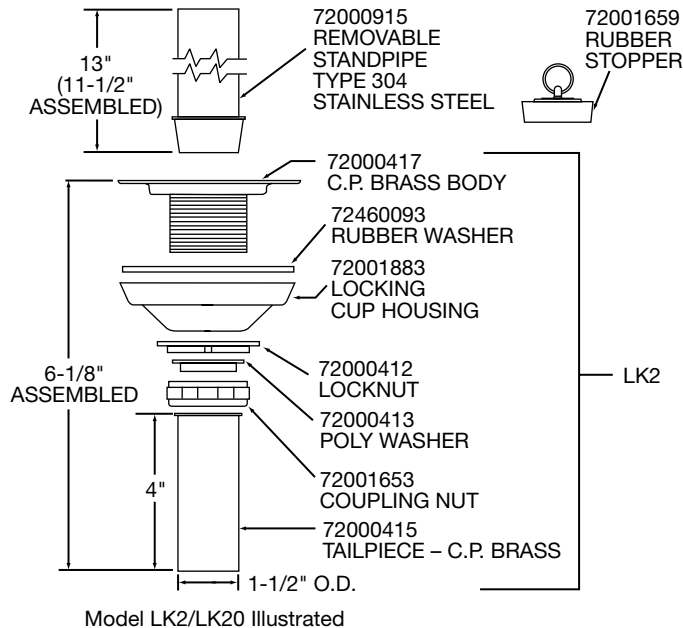
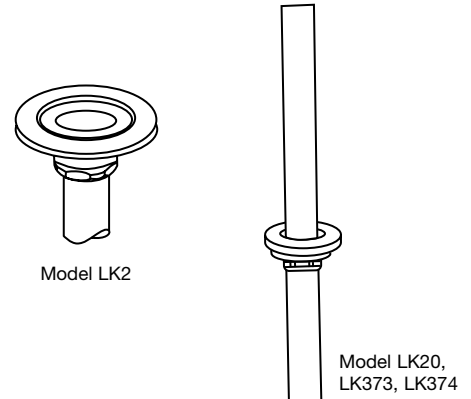
GENERAL

LK2 Chrome plated brass drain outlet fitting with rubber stopper. Designed to fit 3-1/2" drain opening with an overall flange size of 4-1/2". 1-1/2" O.D. x 4" chrome plated brass tailpiece. Ship Wt. 1 lb.

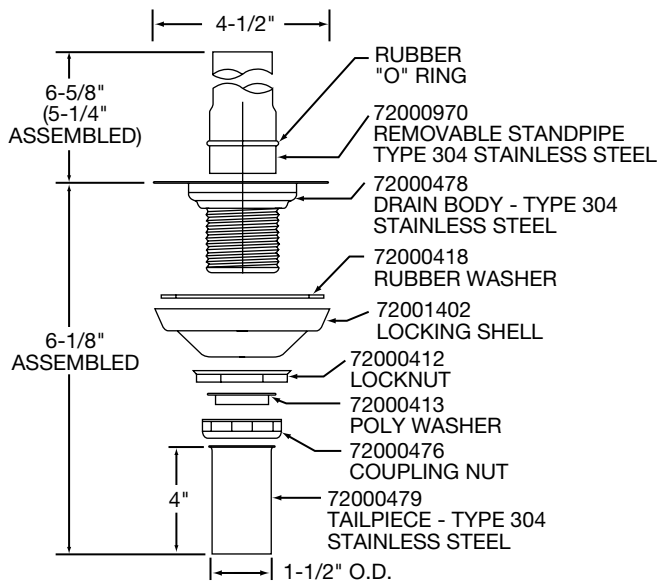
LK20 Same as LK2 except furnished with a 1-1/2" O.D. x 13" (11-1/2" assembled) type 304 stainless steel removable standpipe. Ship. Wt. 2 lbs.

LK373 Same as LK20 except type 304 stainless steel body, tailpiece and 1-1/2" O.D. x 6-5/8" (5-1/4" assembled) removable standpipe with "O" ring. Ship Wt. 2 lbs.

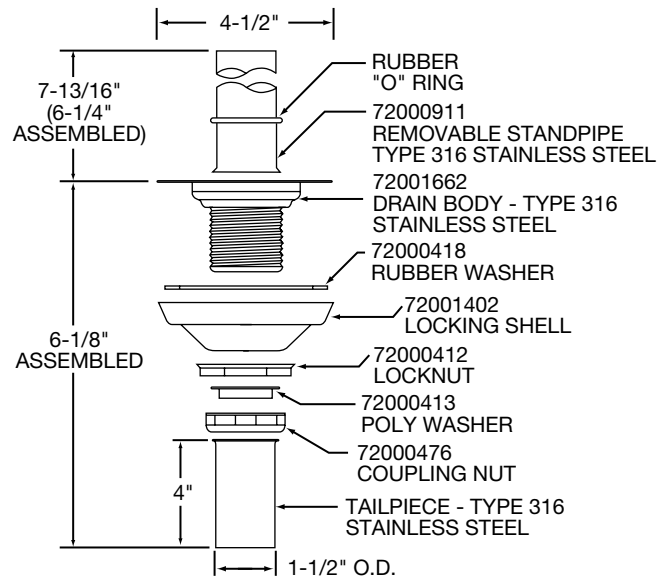
LK374 Same as LK20 except type 316 stainless steel body, tailpiece and 1-1/2" O.D. x 7-13/16" (6-1/4" assembled) removable standpipe with "O" ring. Ship Wt. 2 lbs.



Model LK2/LK20 Illustrated



Model LK373 Illustrated



Model LK374 Illustrated

ALL DIMENSIONS IN INCHES, TO CONVERT TO MILLIMETERS MULTIPLY BY 25.4.

In keeping with our policy of continuing product improvement, Elkay reserves the right to change product specifications without notice.

This specification describes an Elkay product with design, quality and functional benefits to the user. When making a comparison of other producers' offerings, be certain these features are not overlooked.