

ELKAY[®]

SPECIFICATIONS

Sink Accessories 3-1/2" Drain LK35, LK35B and LK35L Models

GENERAL

Strainer basket and body made of type 304 (18-8) nickel bearing stainless steel. Conical strainer basket with flex stem and rubber stopper.

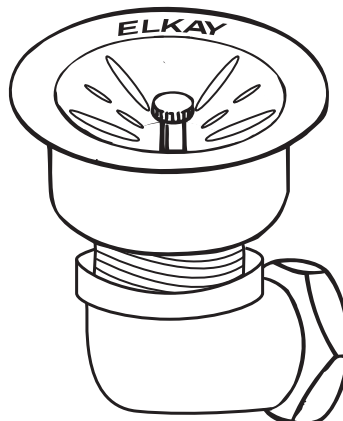
DESIGN FEATURES

Fit 3-1/2" openings, with overall top diameter of 4-1/2". No orientation for opening and closing needed.

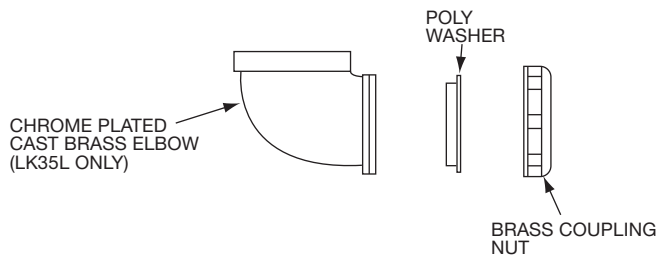
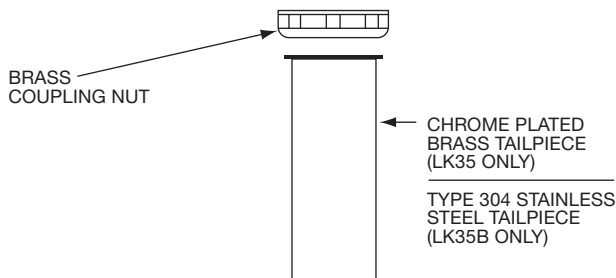
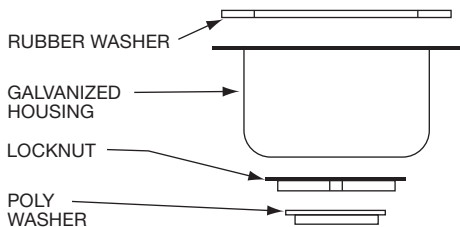
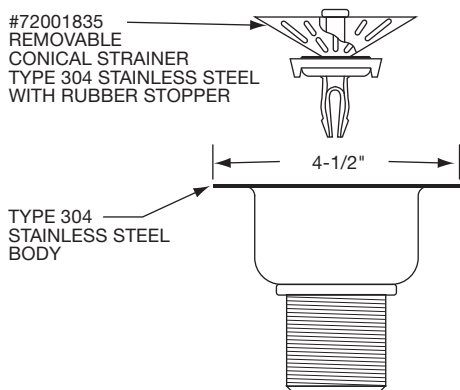
LK35 – Chrome plated brass tailpiece.

LK35B – Type 304 (18-8) nickel bearing stainless steel tailpiece.

LK35L – 90 degree – Chrome plated cast brass elbow.



Model LK35L



ALL DIMENSIONS IN INCHES, TO CONVERT TO MILLIMETERS MULTIPLY BY 25.4.

In keeping with our policy of continuing product improvement, Elkay reserves the right to change product specifications without notice.

This specification describes an Elkay product with design, quality and functional benefits to the user. When making a comparison of other producers' offerings, be certain these features are not overlooked.