

ELKAY® SPECIFICATIONS

Dual Handle Kitchen Faucet Model LK232S

GENERAL

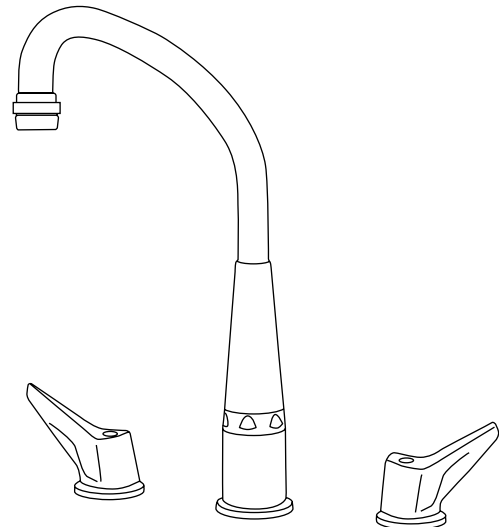
LK232S Concealed mount dual handle gooseneck faucet. Brass forged wing handles. Gooseneck 70° restricted swing spout with aerator. Overall height: 12-7/8" (327mm). Finished in heavy chrome plate that exceeds U.S. government specifications. Removable cartridge. All operating parts are replaceable from above deck. Requires 1/2" (13mm) I.P. connections on 8" (203mm) centers. Requires three faucet holes. Ship. Wt. 6 lbs.

COMPLIES WITH:

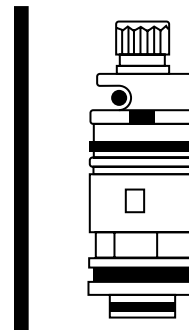
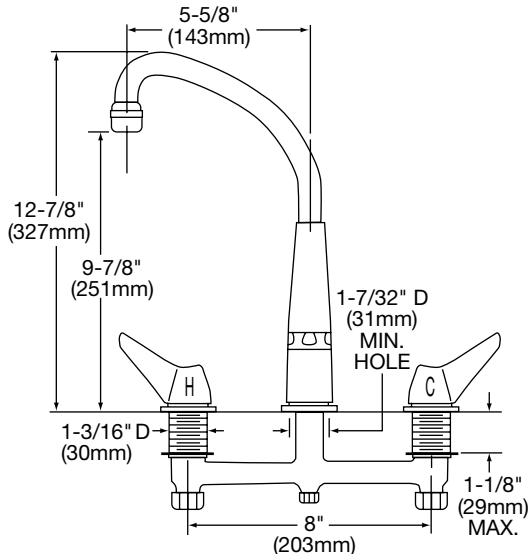
ASME/ANSI A112.18.1
NSF/ANSI 61
ADA

MAXIMUM FLOW RATE

2.5 GPM/9.5 L/min AT 80 P.S.I.G.
2.2 GPM/8.3 L/min AT 60 P.S.I.G.



Model LK232S



CARTRIDGE

Maintenance-free, drip-free washerless cartridge that is completely self-contained and easily removable.

A simple cam-activated movement of the diaphragm controls the flow of water with a feather-lite touch. Full off to full on with a 120° turn. No springs. No wearing action and no moving parts exposed to water.

U.S. Patent #4,203,464
Canadian Patent #983,911

ELKAY LIMITED LIFETIME FAUCET WARRANTY ON RESIDENTIAL FAUCETS

Limited Lifetime Functional and Finish Warranty

Elkay warrants to the original consumer purchaser that the Elkay faucet purchased will be free from defects in material and workmanship for as long as the original consumer purchaser owns the faucet. Elkay will, at its option, supply replacement parts (or if no longer available a comparable product) if the faucet fails due to a defect in material or workmanship. This warranty does not apply in the event of product surface damage caused by abuse, misuse or improper care and maintenance. This warranty excludes damage caused by harsh or abrasive cleaners and/or materials. This warranty excludes all industrial, commercial and business use, whose purchasers are hereby extended a limited lifetime on mechanical parts and 5 years on finish. Product replacement does not include transportation cost or labor installation cost. Elkay reserves the right to examine product in question and its installation prior to replacement.

OTHER WARRANTY CONDITIONS ON FAUCETS

Our warranty does not cover product failure or damage caused by abusive treatment, misuse, environmental factors, improper care and cleaning, or damage due to handling or faulty installations. This warranty is extended only to the original consumer purchaser of the product. This warranty does not cover shipping costs, labor costs, or any other charges for such items as installation or replacement of the sink, diagnosis or replacement of any faucet or component part, or any other expense or loss.

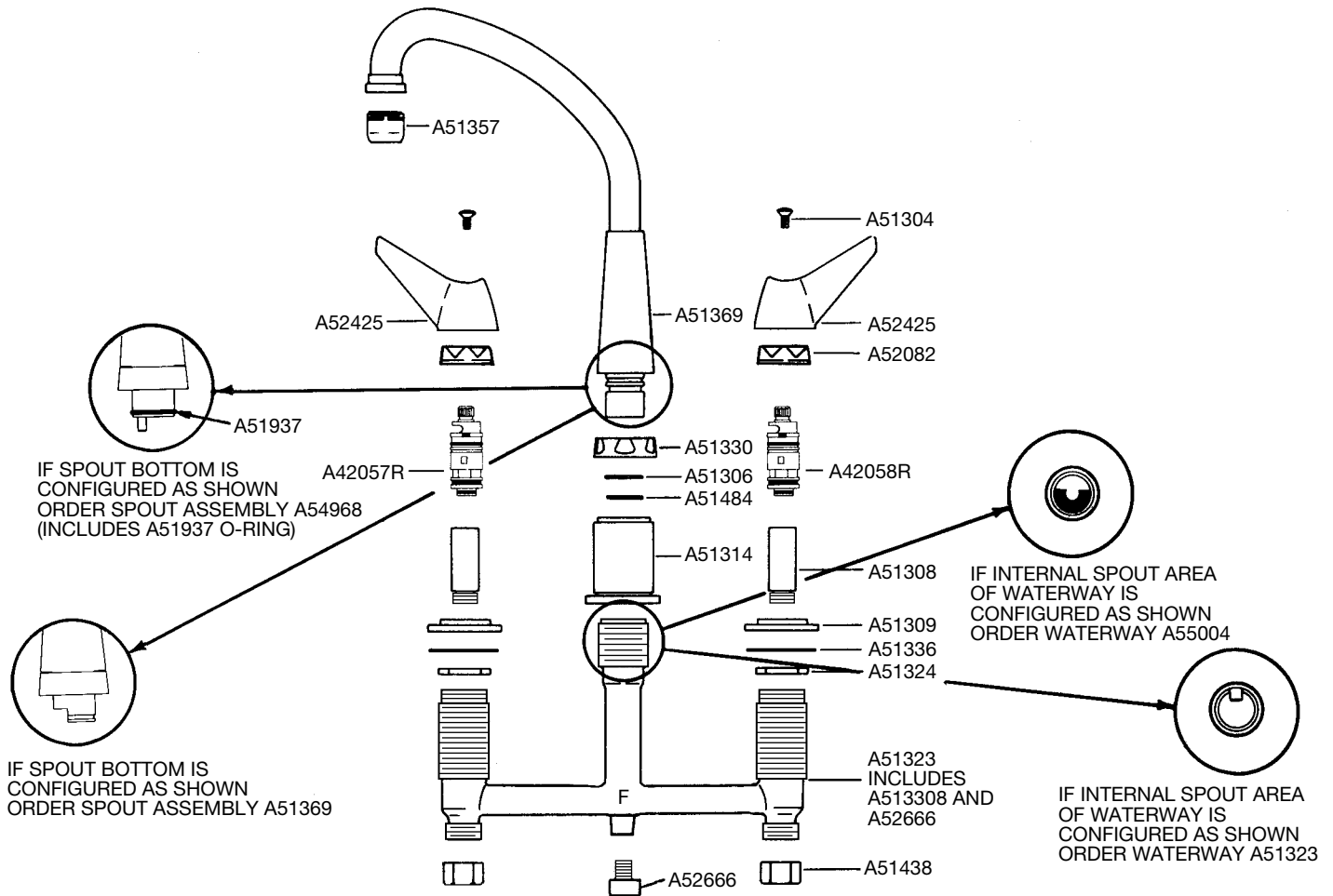
All incidental or consequential damages are specifically excluded. No additional warranties, express or implied are given. Any implied warranty, including one of merchantability or fitness for a particular purpose, is limited to the duration of this written warranty.

Some states do not allow the exclusion or limitation of incidental or consequential damages or limitations on how long an implied warranty lasts, so the above limitations or exclusions may not apply to you.

This warranty gives you specific legal rights, and you may also have other rights which vary from state to state.

TO OBTAIN SERVICE UNDER WARRANTY

- Write to: Elkay
Attention: Consumer Services
2222 Camden Court
Oak Brook, IL 60523
- Include a letter containing the following information:
 - Date of purchase and installation
 - Description of nature of defect
 - Model number or description of model and/or component part if possible.



PARTS FOR LK232S FAUCET

PART NUMBER	PART DESCRIPTION	PART NUMBER	PART DESCRIPTION
A42057R	Micracore – Hot Side (Green Stem)	A51336	Washer, Steel
A42058R	Micracore – Cold (Yellow Stem)	A51357	Aerator
A51304	Handle Screw	A51369*	Spout Assembly Includes: A51330, A51357, A51306, A51484
A51306	Spout Lock Ring	A54968*	Spout Assembly Includes: A51330, A51357, A51306, A51484 and A51937
A51308	Waterway Sleeve	A51438	Coupling Nut
A51309	Locknut, Top	A51484	Spout O-Ring
A51314	Escutcheon, Center	A52082	Cap
A51323*	Body Assembly	A52666	Hex Plug
A55004*	Body Assembly	A52425	Handle
A51324	Locknut, Bottom		
A51330	Spout Nut		

*See above illustration to determine proper replacement part.