

# ELKAY<sup>®</sup>

## SPECIFICATIONS

### Dual Handle Kitchen Faucet Models LK230BH5 and LK231BH5

#### GENERAL

**LK230BH5** Concealed mount mixing faucet with 9-1/2" (241mm) cast swing spout equipped with self cleaning aerator. Finished in heavy chrome plate. Removable cartridge controls. 1/2" (13mm) I.P. connections on 8" (203mm) centers. Requires 3 faucet holes. Ship. Wt. 5-3/4 lbs.

**LK231BH5** Same as LK230BH5 except with retractable spray and hose. Requires 4 faucet holes.

Maximum Countertop Thickness: 1-1/8" (28mm).

#### COMPLIES WITH:

ASME/ANSI A112.18.1

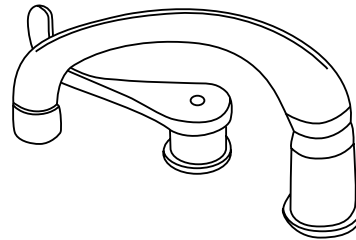
NSF/ANSI 61

ADA

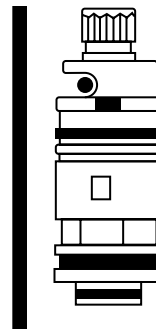
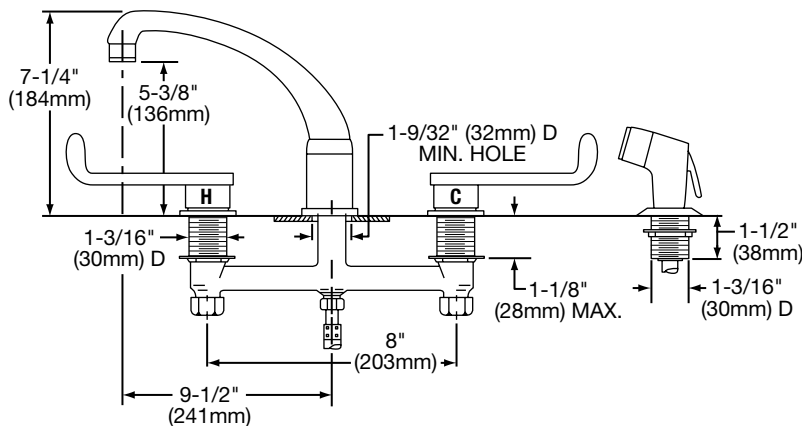
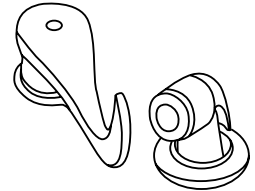
#### MAXIMUM FLOW RATE

2.5 GPM/9.5 L/min AT 80 P.S.I.G.

2.2 GPM/8.3 L/min AT 60 P.S.I.G.



Model LK231BH5



#### CARTRIDGE

Maintenance-free, drip-free washerless cartridge that is completely self-contained and easily removable.

A simple cam-activated movement of the diaphragm controls the flow of water with a feather-lite touch. Full **off** to full **on** with a 120° turn. No springs. No wearing action and no moving parts exposed to water.

U.S. Patent #4,203,464

Canadian Patent #983,911

### ELKAY LIMITED LIFETIME FAUCET WARRANTY ON RESIDENTIAL FAUCETS

#### Limited Lifetime Functional and Finish Warranty

Elkay warrants to the original consumer purchaser that the Elkay faucet purchased will be free from defects in material and workmanship for as long as the original consumer purchaser owns the faucet. Elkay will, at its option, supply replacement parts (or if no longer available a comparable product) if the faucet fails due to a defect in material or workmanship. This warranty does not apply in the event of product surface damage caused by abuse, misuse or improper care and maintenance. This warranty excludes damage caused by harsh or abrasive cleaners and/or materials. This warranty excludes all industrial, commercial and business use, whose purchasers are hereby extended a limited lifetime on mechanical parts and 5 years on finish. Product replacement does not include transportation cost or labor installation cost. Elkay reserves the right to examine product in question and its installation prior to replacement.

#### OTHER WARRANTY CONDITIONS ON FAUCETS

Our warranty does not cover product failure or damage caused by abusive treatment, misuse, environmental factors, improper care and cleaning, or damage due to handling or faulty installations. This warranty is extended only to the original consumer purchaser of the product. This warranty does not cover shipping costs, labor costs, or any other charges for such items as installation or replacement of the sink, diagnosis or replacement of any faucet or component part, or any other expense or loss.

**All incidental or consequential damages are specifically excluded. No additional warranties, express or implied are given. Any implied warranty, including one of merchantability or fitness for a particular purpose, is limited to the duration of this written warranty.**

Some states do not allow the exclusion or limitation of incidental or consequential damages or limitations on how long an implied warranty lasts, so the above limitations or exclusions may not apply to you.

This warranty gives you specific legal rights, and you may also have other rights which vary from state to state.

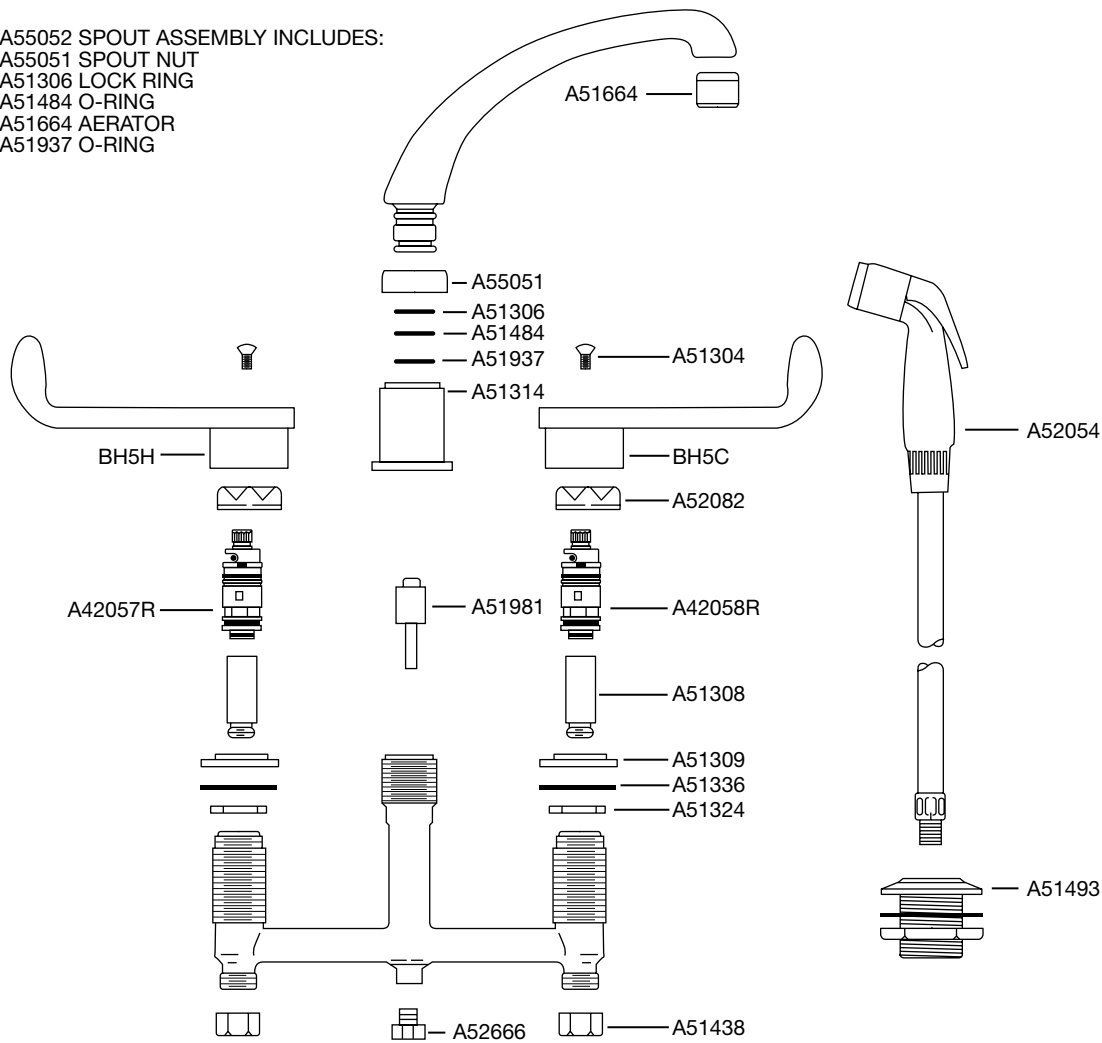
#### TO OBTAIN SERVICE UNDER WARRANTY

1. Write to: Elkay  
Attention: Consumer Services  
2222 Camden Court  
Oak Brook, IL 60523
2. Include a letter containing the following information:
  - a. Date of purchase and installation
  - b. Description of nature of defect
  - c. Model number or description of model and/or component part if possible.

**Dual Handle Kitchen Faucet  
Models LK230BH5 and LK231BH5**

**ELKAY®  
PARTS LIST**

A55052 SPOUT ASSEMBLY INCLUDES:  
A55051 SPOUT NUT  
A51306 LOCK RING  
A51484 O-RING  
A51664 AERATOR  
A51937 O-RING



**PARTS FOR LK230BH5 and LK231BH5**

<b>PART NUMBER</b>	<b>PART DESCRIPTION</b>	<b>PART NUMBER</b>	<b>PART DESCRIPTION</b>
A42057R	Micracore – Hot	A51664	Aerator
A42058R	Micracore – Cold	A51438	Coupling Nut
A51304	Handle, Screw	A51484	Spout O-Ring
A51306	Spout Lock Ring	A51493	Hose Guide Assembly (Nest)
A51308	Waterway Sleeve	A51981	Diverter
A51309	Locknut, Top	A51937	Spout O-Ring
A51314	Escutcheon, Center	A52054	Spray Head & Hose Assembly
A51324	Locknut, Bottom	A52082	Cap Nut
A55051	Spout Nut	A52666	Hex Plug
A55052	Spout Assembly Includes: A55051, A51306, A51484, A51664, A51937	BH5C	Handle (Cold)
A51336	Washer	BH5H	Handle (Hot)