

ELKAY® SPECIFICATIONS

Single Handle Hospitality Faucets Models LK20858, LK20858L, LK208513, LK208513L, LKVR208513 and LKVR208513L

GENERAL

LK208513 single handle, top mount gooseneck faucet, 13" (339mm) high overall. Rigid spout with aerator. Brass base, brass forged wing handle on right side. Finished in heavy chrome plate. Removable valve cartridge. All operating parts are replaceable from above deck. 1/2" (13mm) I.P. connections. Requires single faucet hole. Ship. Wt. 2-1/2 lbs.

LKVR208513 Same as LK208513 except with vandal-resistant aerator and handle screw, and factory installed anti-rotation pins.

LK20858 Overall height is 8" (203mm), otherwise same as LK208513. Ship Wt. 2-1/2 lbs.

LK208513L Same as LK208513, except handle is on left side.

LKVR208513L Same as LKVR208513 except handle is on left side.

LK20858L Same as LK20858, except handle is on left side.

Maximum Countertop Thickness: 7/8" (22mm).



These faucets are ADA compliant.

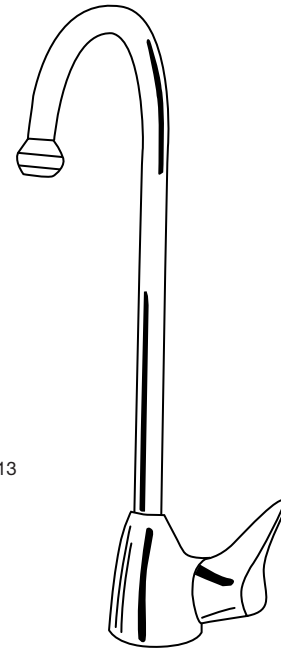
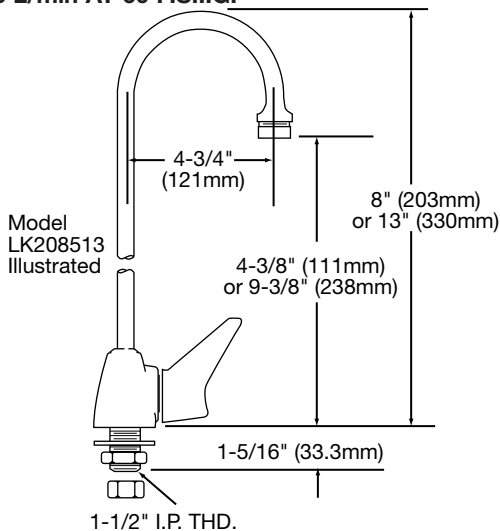


These faucets are classified by Underwriters Laboratories Inc. to **ANSI/NSF61** for residential use.

MAXIMUM FLOW RATE

2.5 GPM/9.5 L/min AT 80 P.S.I.G.

2.2 GPM/8.3 L/min AT 60 P.S.I.G.



Model LK208513

CARTRIDGE

Maintenance-free, drip-free washerless cartridge that is completely self-contained and easily removable.

A simple cam-activated movement of the diaphragm controls the flow of water with a feather-lite touch. Full **off** to full **on** with a 120° turn. No springs. No wearing action and no moving parts exposed to water.

U.S. Patent #4,203,464

Canadian Patent #983,911

ELKAY LIMITED LIFETIME FAUCET WARRANTY ON RESIDENTIAL FAUCETS

Limited Lifetime Functional and Finish Warranty

Elkay warrants to the original consumer purchaser that the Elkay faucet purchased will be free from defects in material and workmanship for as long as the original consumer purchaser owns the faucet. Elkay will, at its option, supply replacement parts (or if no longer available a comparable product) if the faucet fails due to a defect in material or workmanship. This warranty does not apply in the event of product surface damage caused by abuse, misuse or improper care and maintenance. This warranty excludes damage caused by harsh or abrasive cleaners and/or materials. This warranty excludes all industrial, commercial and business use, whose purchasers are hereby extended a limited lifetime on mechanical parts and 5 years on finish. Product replacement does not include transportation cost or labor installation cost. Elkay reserves the right to examine product in question and its installation prior to replacement.

OTHER WARRANTY CONDITIONS ON FAUCETS

Our warranty does not cover product failure or damage caused by abusive treatment, misuse, environmental factors, improper care and cleaning, or damage due to handling or faulty installations. This warranty is extended only to the original consumer purchaser of the product. This warranty does not cover shipping costs, labor costs, or any other charges for such items as installation or replacement of the sink, diagnosis or replacement of any faucet or component part, or any other expense or loss.

All incidental or consequential damages are specifically excluded. No additional warranties, express or implied are given. Any implied warranty, including one of merchantability or fitness for a particular purpose, is limited to the duration of this written warranty.

Some states do not allow the exclusion or limitation of incidental or consequential damages or limitations on how long an implied warranty lasts, so the above limitations or exclusions may not apply to you.

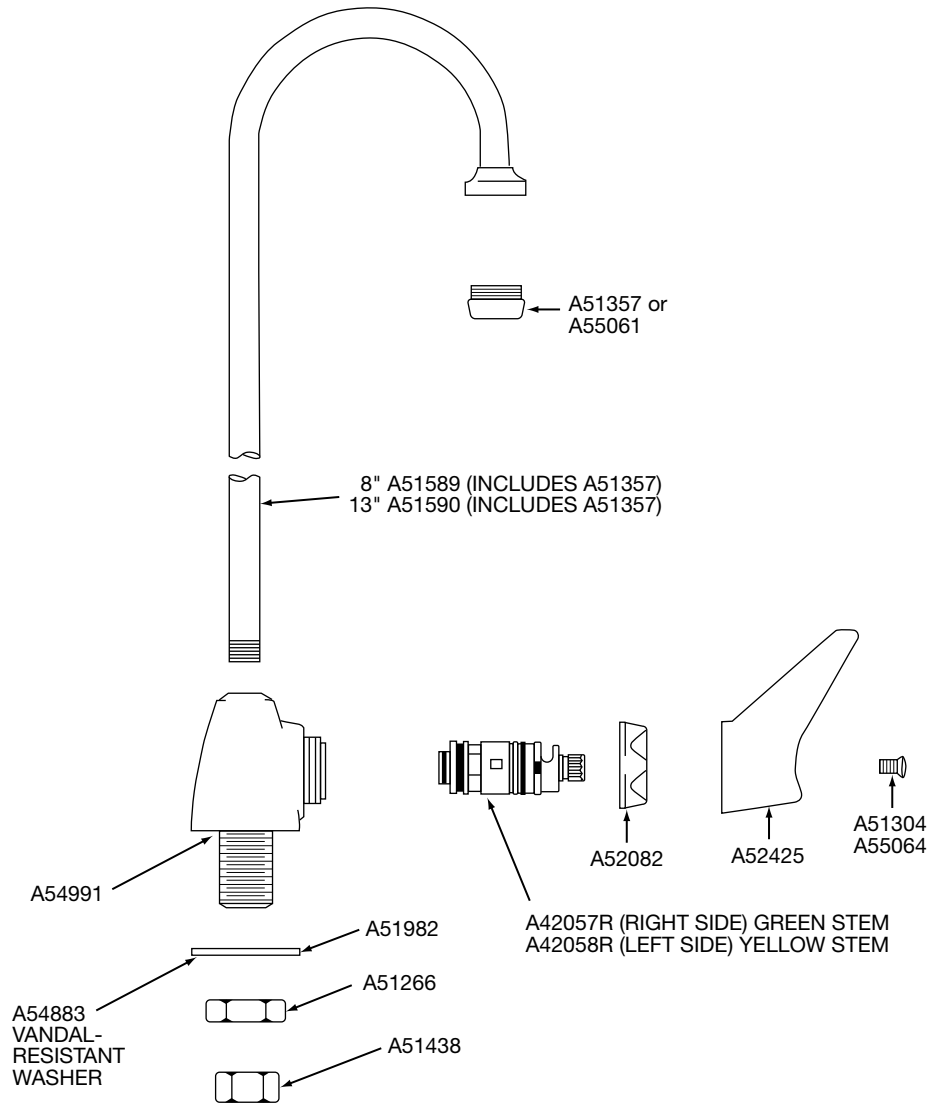
This warranty gives you specific legal rights, and you may also have other rights which vary from state to state.

TO OBTAIN SERVICE UNDER WARRANTY

- Write to: Elkay
Attention: Consumer Services
2222 Camden Court
Oak Brook, IL 60523
- Include a letter containing the following information:
 - Date of purchase and installation
 - Description of nature of defect
 - Model number or description of model and/or component part if possible.

Single Handle Hospitality Faucets
Models LK20858, LK20858L, LK208513,
LK208513L, LKVR208513 and LKVR208513L

ELKAY®
PARTS LIST



PARTS FOR LK20858, LK208513, LKVR208513, LK20858L, LK208513L, LKVR208513L

PART NUMBER	PART DESCRIPTION	PART NUMBER	PART DESCRIPTION
A42057R	Micracore-Right	A51589	Spout-8"
A42058R	Micracore-Left	A51590	Spout-13"
A51304	Handle Screw	A51982	Washer, Shank
A55064	Vandal-Resistant Handle Screw	A52082	Cap Nut
A51266	Lock Nut	A52425	Wing Handle
A51357	Aerator	A54883	Vandal-Resistant Washer
A55061	Vandal-Resistant Aerator	A54991	Body
A51438	Coupling Nut		