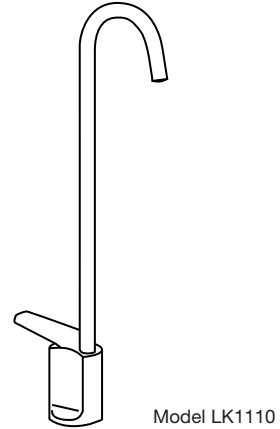
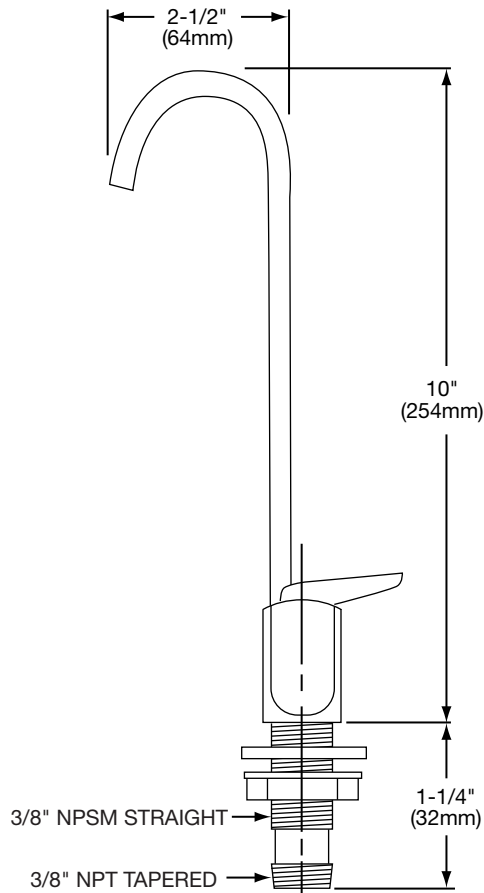


SPECIFICATIONS

GENERAL

LK1110 stainless steel single water gooseneck glass filler, manufactured with 100% lead-free material, plastic push lever control, 10" (254mm) high overall, 3/8" I.P. connection. Ship. Wt. 3 lbs.

DIMENSIONS



PARTS LIST

