

ELKAY® SPECIFICATIONS

Lustertone® Single Bowl Sink No Faucet Ledge Models LFR and LFRQ Series

GENERAL

Highest quality sink bowl seamlessly formed of #18 gauge, type 304 (18-8) nickel bearing stainless steel. Self-rimming.

DESIGN FEATURES

Bowl Depth: 7-5/8".

Coved Corners: 1-3/4" vertical and horizontal radius.

Bowl Recess: 3/16" below outside edge of sink.

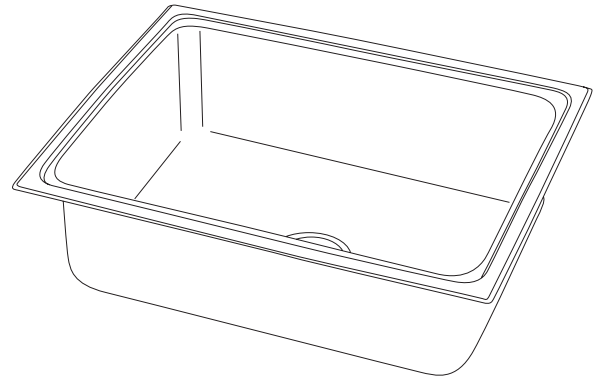
Finish: Exposed surfaces are hand blended to a lustrous highlighted satin finish.

Underside: Fully undercoated to dampen sound and prevent condensation.

OTHER

Drain Opening: 3-1/2".

These sinks comply with ANSI Standard 112.19.3M.

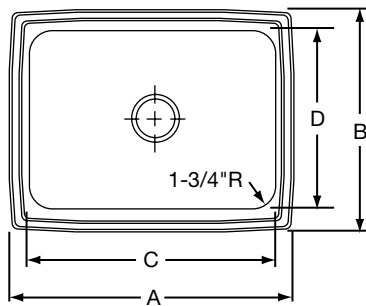


Model LFR(Q)2519

SINK DIMENSIONS (INCHES)*

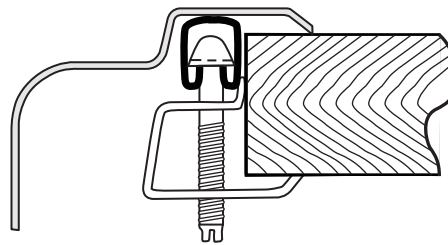
| U-Channel Model Number | Quick-Clip® Model Number | Overall | | Inside Bowl | | | Cutout in Countertop (1 1/2" Radius Corners) | | Minimum Cabinet Size | Ship. Wt. Lbs. |
|------------------------------|--------------------------------|---------|--------|-------------|--------|-------|---|--------|----------------------------|----------------------|
| | | L | W | L | W | D | L | W | | |
| | | A | B | C | D | E | L | W | | |
| LFR1313 | LFRQ1313 | 13 | 13 | 10 | 10 | 7 5/8 | 12 3/8 | 12 3/8 | 18 | 8 1/4 |
| LFR1515 | LFRQ1515 | 15 | 15 | 12 | 12 | 7 5/8 | 14 3/8 | 14 3/8 | 18 | 8 1/2 |
| LFR1717 | — | 17 | 17 1/2 | 14 | 14 | 7 5/8 | 16 3/8 | 16 7/8 | 21 | 10 |
| LFR1915 | LFRQ1915 | 19 | 15 | 16 | 11 1/2 | 7 5/8 | 18 3/8 | 14 3/8 | 24 | 9 3/4 |
| LFR1918 | LFRQ1918 | 19 | 18 | 16 | 13 1/2 | 7 5/8 | 18 3/8 | 17 3/8 | 24 | 12 |
| LFR2519 | LFRQ2519 | 25 | 19 1/2 | 21 | 15 3/4 | 7 5/8 | 24 3/8 | 18 7/8 | 30 | 16 |

*Length is left to right. Width is front to back.

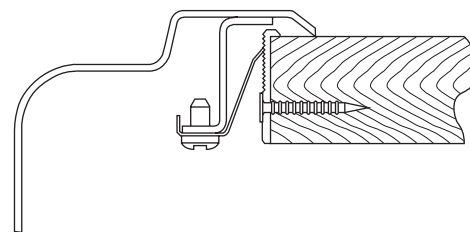


Model LFR2519 Illustrated

U-Channel Type Mounting System



Quick-Clip® Mounting System



ALL DIMENSIONS IN INCHES, TO CONVERT TO MILLIMETERS MULTIPLY BY 25.4.

In keeping with our policy of continuing product improvement, Elkay reserves the right to change product specifications without notice.

This specification describes an Elkay product with design, quality and functional benefits to the user. When making a comparison of other producers' offerings, be certain these features are not overlooked.