

ELKAY® SPECIFICATIONS

Lustertone® Triple Bowl Sink Models LCR4322 and LCRQ4322

GENERAL

Highest quality sink bowls seamlessly formed of #18 gauge, type 304 (18-8) nickel bearing stainless steel. Self-rimming.

DESIGN FEATURES

Bowl Depth: 7-7/8" (left and right bowls), 6-1/8" (center bowl).

Coved Corners: 1-3/4" vertical and horizontal radius.

Finish: Exposed surfaces are polished to a lustrous highlighted satin finish.

Underside: Fully protected by heavy duty Sound Guard® undercoating to dampen sound and prevent condensation.

OTHER

Drain Opening: 3-1/2".

NOTE: Unless otherwise specified, sink is furnished with 6 faucet holes as shown.

This sink complies with ANSI Standard A112.19.3M.

OPTIONAL ACCESSORIES

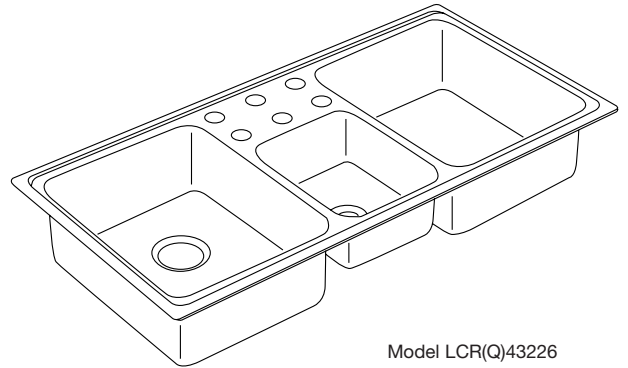
Rinsing Baskets: LKRB1614 or LKERBSS.

Cutting Boards: CB912, CBR1418 or CBS1418.

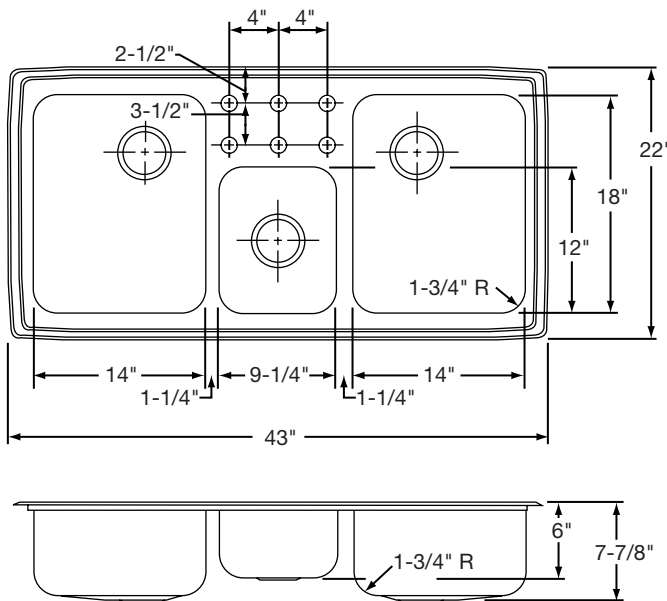
SINK DIMENSIONS (INCHES)*

U-Channel Model Number	Quick-Clip® Model Number	Overall		Inside Left Bowl			Inside Center Bowl			Inside Right Bowl			Cutout in Countertop (1 1/2" Radius Corners) Overall		No. of 1 1/2" Dia. Faucet Holes 4" Centers	Minimum Cabinet Size	Ship. Wt. Lbs.
		L	W	L	W	D	L	W	D	L	W	D	L	W			
LCR4322	LCRQ4322	43	22	14	18	7 7/8	9 1/4	12	6 1/8	14	18	7 7/8	42 3/8	21 3/8	6	48	28

*Length is left to right. Width is front to back.

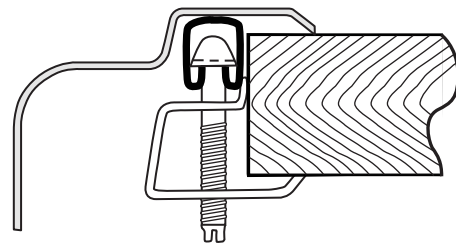


Model LCR(Q)43226

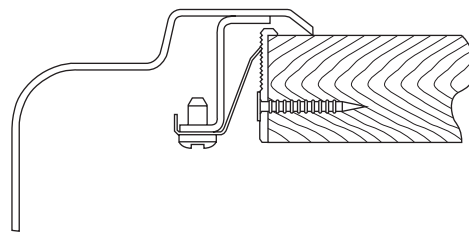


Model LCR43226 Illustrated

U-Channel Type Mounting System



Quick-Clip® Mounting System



ALL DIMENSIONS IN INCHES, TO CONVERT TO MILLIMETERS MULTIPLY BY 25.4.

In keeping with our policy of continuing product improvement, Elkay reserves the right to change product specifications without notice.

This specification describes an Elkay product with design, quality and functional benefits to the user. When making a comparison of other producers' offerings, be certain these features are not overlooked.

Elkay

www.elkayusa.com

2222 Camden Court
Oak Brook, IL 60523

Printed in U.S.A.
©2004 Elkay

(Rev. 3/04) 1-134B