

**Lustertone® Double Bowl
18 Gauge, Type 304, Self Rim
Models LCGR3822 and DLCGR3822 Series**



SPECIFICATIONS

GENERAL

Highest quality. Lustertone two bowl sink is seamlessly drawn of #18 gauge, type 304 (18-8) nickel bearing stainless steel. Self-rimming.

DESIGN FEATURES

Bowl Depths: 8" (Large Bowl LCGR); 10-1/2" (Large Bowl DLCGR); 6-7/16" (Medium Bowl).

Coved Corners: 3" vertical radius.

Bowls Recessed: 1/2" below outside rim provides protection against water overflowing onto countertop. 1/8" recess for styled faucet deck configuration and 3/8".

Finish: Exposed surfaces are polished and hand blended to a lustrous satin finish with a highlighted inside top radius on sink bowls. Underside: Fully protected by heavy duty Sound Guard™ undercoating.

OTHER

Drain Opening: 3-1/2".

Faucet Holes: Available with 1, 2, 3 or 4, 1-1/2" diameter faucet holes as illustrated on back page.

OPTIONAL ACCESSORIES

Rinsing Baskets: LKRB1614 and LKERBSS.

Cutting Board: CBT2213.

Colander: LC1412.

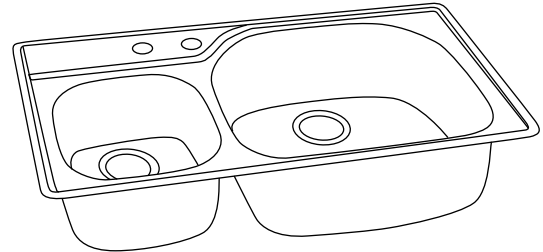
These sinks comply with ANSI Standard A112.19.3M.



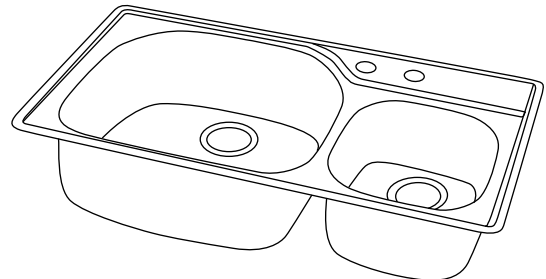
These sinks are listed by the International Association of Plumbing and Mechanical Officials as meeting the requirements of the Uniform Plumbing Code.



These sinks are listed with the Canadian Standards Association.



Model LCGR3822L2



Model LCGR3822R2

SINK DIMENSIONS (INCHES)*

Model Number	Overall		Inside Left Bowl			Inside Right Bowl			Cutout in Countertop (1 1/2" Radius Corners)		Number of 1 1/2" Dia. Faucet Holes 4" Centers	Ship. Wt. Lbs.
	L	W	L	W	D	L	W	D	L	W		
LCGR3822L	38	22	11 3/4	13 1/4	6 7/16	21	18 5/8	8	37 3/8	21 3/8	1, 2, 3 or 4	24 1/2
DLCGR382210L	38	22	11 3/4	13 1/4	6 7/16	21	18 5/8	10 1/2	37 3/8	21 3/8	1, 2, 3 or 4	25
LCGR3822R	38	22	21	18 5/8	8	11 3/4	13 1/4	6 7/16	37 3/8	21 3/8	1, 2, 3 or 4	24 1/2
DLCGR382210R	38	22	21	18 5/8	10 1/2	11 3/4	13 1/4	6 7/16	37 3/8	21 3/8	1, 2, 3 or 4	25

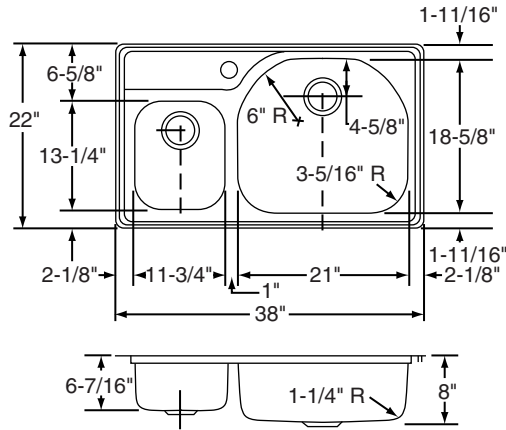
*Length is left to right. Width is front to back.

ALL DIMENSIONS IN INCHES, TO CONVERT TO MILLIMETERS MULTIPLY BY 25.4.

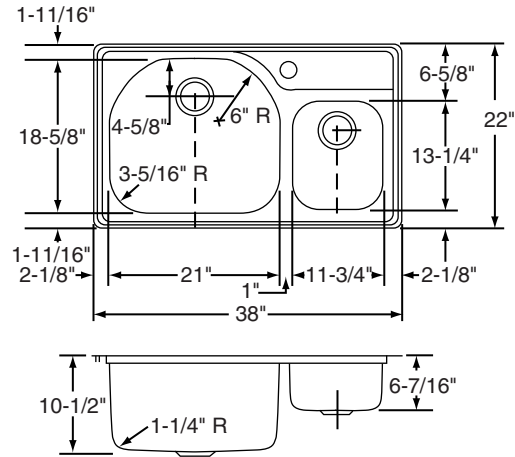
In keeping with our policy of continuing product improvement, Elkay reserves the right to change product specifications without notice.

This specification describes an Elkay product with design, quality and functional benefits to the user. When making a comparison of other producers' offerings, be certain these features are not overlooked.

SPECIFICATIONS

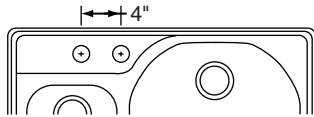


Model LCGR3822L1 Illustrated

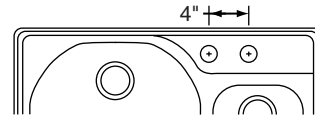


Model DLCGR382210R1 Illustrated

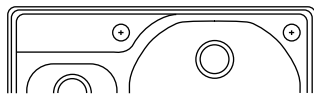
HOLE DRILLING CONFIGURATIONS



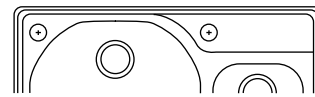
(TWO FAUCET HOLE CONFIGURATION)
 Models LCGR3822L2 and DLCGR382210L2



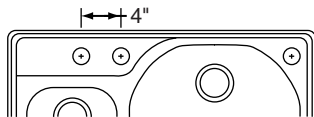
(TWO FAUCET HOLE CONFIGURATION)
 Models LCGR3822R2 and DLCGR382210R2



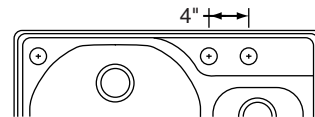
(SPREAD TWO FAUCET HOLE CONFIGURATION)
 Models LCGR3822LS2 and DLCGR382210LS2



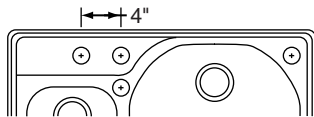
(SPREAD TWO FAUCET HOLE CONFIGURATION)
 Models LCGR3822RS2 and DLCGR382210RS2



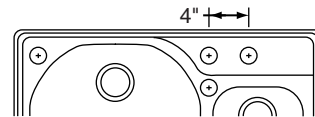
(THREE FAUCET HOLE CONFIGURATION)
 Models LCGR3822L3 and DLCGR382210L3



(THREE FAUCET HOLE CONFIGURATION)
 Models LCGR3822R3 and DLCGR382210R3



(FOUR FAUCET HOLE CONFIGURATION)
 Models LCGR3822L4 and DLCGR382210L4



(FOUR FAUCET HOLE CONFIGURATION)
 Models LCGR3822R4 and DLCGR382210R4