

ELKAY® SPECIFICATIONS

Lustertone® Contemporary Gourmet Single Bowl Sink Models LCGR2522 and DLCGR252210

GENERAL

Highest quality sink bowl is seamlessly formed of #18 gauge, type 304 (18-8) nickel bearing stainless steel. Self-rimming.

DESIGN FEATURES

Bowl Depth: 8" (LCGR); 10-1/2" (DLCGR).

Bowl and Faucet Deck Recess: 1/2" below outside edge of sink.

Finish: Exposed surfaces are hand blended to a lustrous high-lighted satin finish.

Underside: Fully protected by heavy duty Sound Guard® undercoating to dampen sound and prevent condensation.

OTHER

Drain Opening: 3-1/2".

NOTE: Unless otherwise specified, sink is furnished with one faucet hole as shown.

These sinks comply with ANSI Standard A112.19.3M.

OPTIONAL ACCESSORIES

Rinsing Basket: LKRB1614 or LKERBSS.

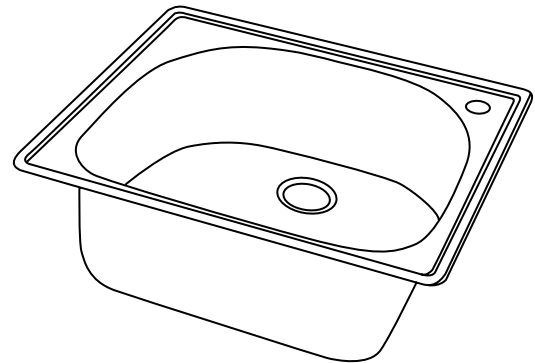
Bottom Grid: LKOBG1821.

Cutting Board: CB2213.

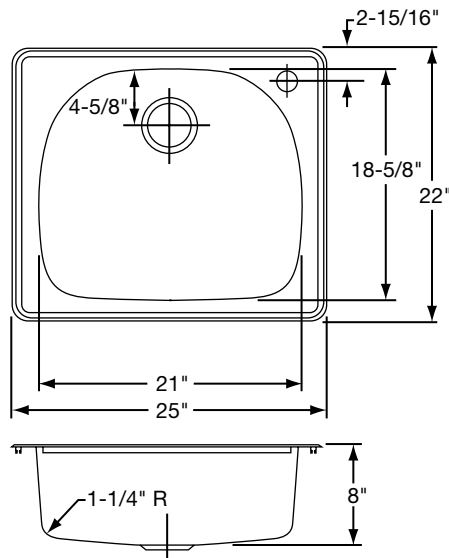
SINK DIMENSIONS (INCHES)*

Model Number	Overall		Inside Bowl			Cutout in Countertop (1 1/2" Radius Corners)		Number of 1-1/2" Dia. Faucet Holes	Minimum Cabinet Size	Ship. Wt. Lbs.
	L	W	L	W	D	L	W			
LCGR2522	25	22	21	18 5/8	8	24 3/8	21 3/8	1 or 2	30	14 1/2
DLCGR252210	25	22	21	18 5/8	10 1/2	24 3/8	21 3/8	1 or 2	30	15

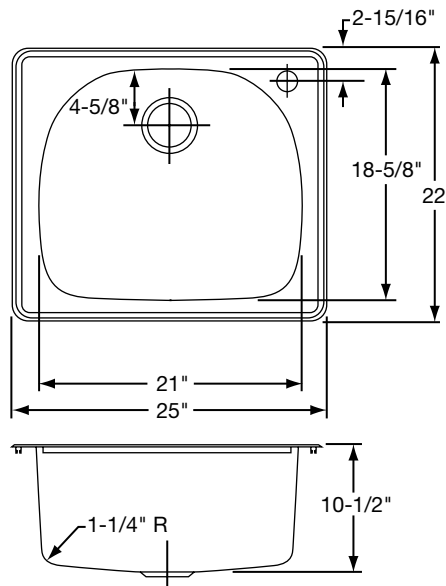
*Length is left to right. Width is front to back.



Model LCGR25221

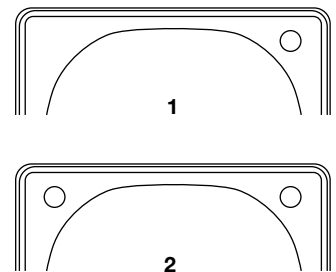


Model LCGR25221 Illustrated



Model DLCGR2522101 Illustrated

HOLE DRILLING CONFIGURATIONS



ALL DIMENSIONS IN INCHES, TO CONVERT TO MILLIMETERS MULTIPLY BY 25.4.

In keeping with our policy of continuing product improvement, Elkay reserves the right to change product specifications without notice.

This specification describes an Elkay product with design, quality and functional benefits to the user. When making a comparison of other producers' offerings, be certain these features are not overlooked.