

ELKAY[®]

SPECIFICATIONS

Traditional Gourmet Triple Bowl Sinks With Ribbed Area and Sink Packages Model ILGR6022 Series

GENERAL

Highest quality sink bowls seamlessly formed of #18 gauge, type 304 (18-8) nickel bearing stainless steel. Self-rimming.

Models ILGR6022LC and ILGR6022RC include LKE4124F faucet.

DESIGN FEATURES

Bowl Depths: 10" (large bowl), 8" (medium bowl), 5-1/8" (small bowl).

Finish: Exposed surfaces are hand blended to a lustrous highlighted satin finish.

Underside: Fully protected by heavy duty Sound Guard[®] undercoating to dampen sound and prevent condensation.

OTHER

Drain Opening: 3-1/2".

NOTE: Unless otherwise specified, sink is furnished with 3 faucet holes as shown.

OPTIONAL ACCESSORIES

Cutting Boards: CB816, CB1613, CB1713, CBR1316, CBR1418, CBS1316, CBS1418 or CBS715.

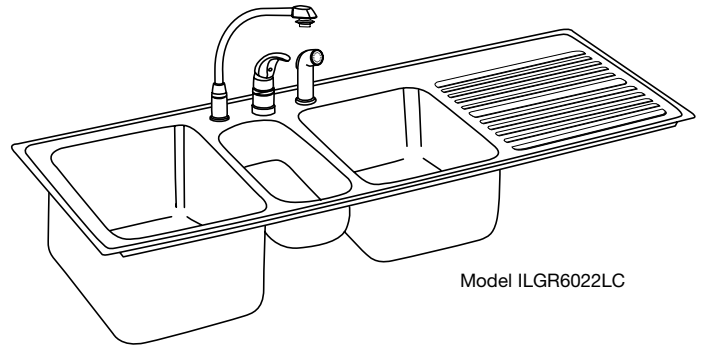
Rinsing Baskets: LKRB1611, LKRB1614, LKRB715 or LKERBSS.

Bottom Grids: LKOBG1814 or LKOBG1613.

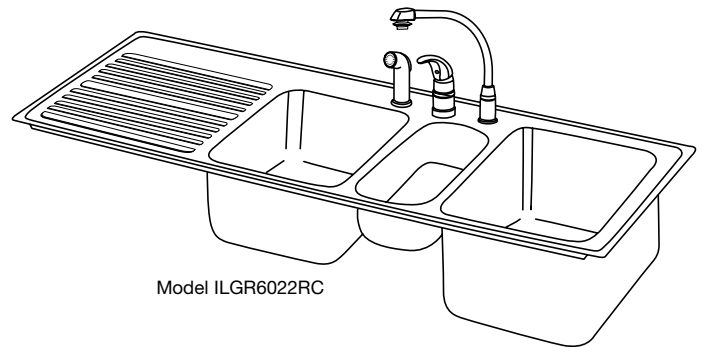
These sinks comply with ANSI Standard A112.19.3M.



These sinks are listed by the International Association of Plumbing and Mechanical Officials as meeting the requirements of the Uniform Plumbing Code.



Model ILGR6022LC



Model ILGR6022RC

SINK DIMENSIONS (INCHES)*

Model Number	Overall		Inside Left Bowl			Inside Center Bowl			Inside Right Bowl			Ribbed Area Length	Cutout in Countertop (1 1/2" Radius Corners)		No. of 1 1/2" Dia. Faucet Holes 4" Center	Minimum Cabinet Size	Ship. Wt. Lbs.
	L	W	L	W	D	L	W	D	L	W	D		L	W			
ILGR6022L	60	22	14	18	10	7 1/2	15 3/4	5 1/8	13 1/2	16	8	19 3/4	59 3/8	21 3/8	1, 2, 3, 4 or 5	63	45
ILGR6022R	60	22	13 1/2	16	8	7 1/2	15 3/4	5 1/8	14	18	10	19 3/4	59 3/8	21 3/8	1, 2, 3, 4 or 5	63	45
ILGR6022LC	60	22	14	18	10	7 1/2	15 3/4	5 1/8	13 1/2	16	8	19 3/4	59 3/8	21 3/8	3	63	49
ILGR6022RC	60	22	13 1/2	16	8	7 1/2	15 3/4	5 1/8	14	18	10	19 3/4	59 3/8	21 3/8	3	63	49

*Length is left to right. Width is front to back.

SEE OTHER SIDE FOR PRODUCT DIMENSIONS.

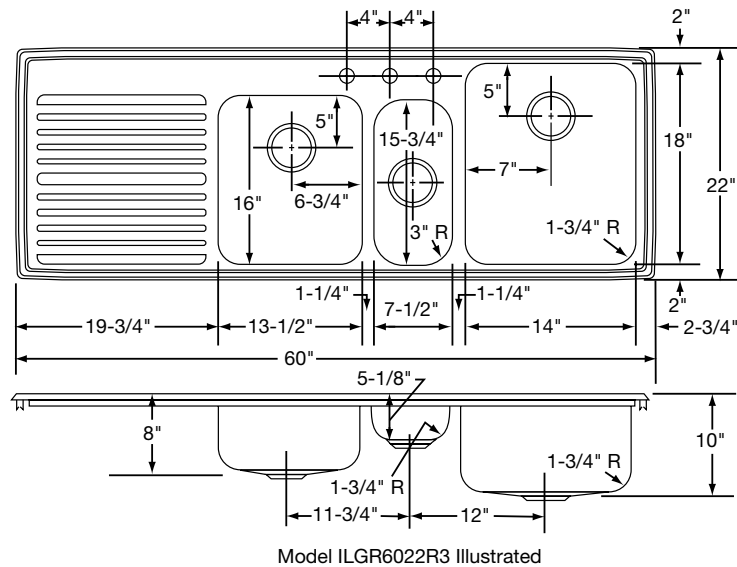
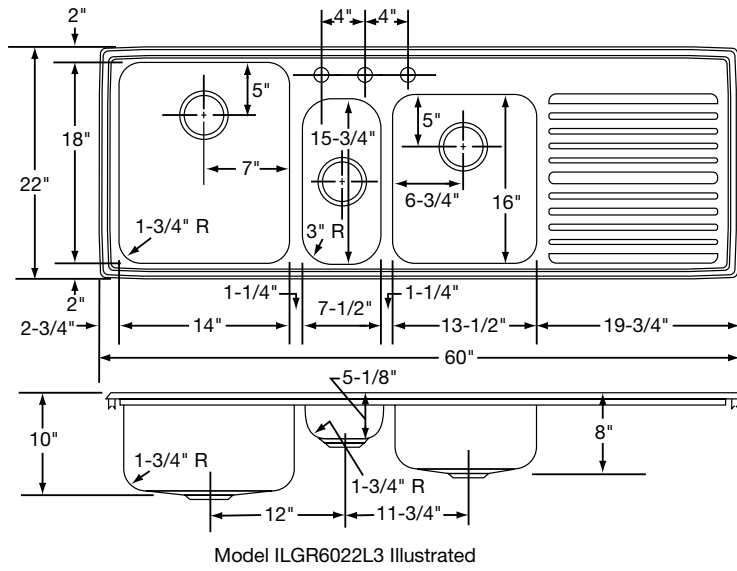
ALL DIMENSIONS IN INCHES, TO CONVERT TO MILLIMETERS MULTIPLY BY 25.4.

In keeping with our policy of continuing product improvement, Elkay reserves the right to change product specifications without notice.

This specification describes an Elkay product with design, quality and functional benefits to the user. When making a comparison of other producers' offerings, be certain these features are not overlooked.

**Traditional Gourmet Triple Bowl Sinks
With Ribbed Area and Sink Packages
Model ILGR6022 Series**

**ELKAY®
SPECIFICATIONS**



HOLE DRILLING CONFIGURATIONS

