

ELKAY® SPECIFICATIONS

Celebrity® Single Bowl Sink Model GECR2521 Series – A.D.A. Compliant

GENERAL

Designed and recommended for use with GE undersink dishwasher. Good quality Celebrity sink bowl seamlessly drawn of #20 gauge, type 304 (18-8) nickel bearing stainless steel. Self-rimming.

DESIGN FEATURES

Bowl Depth: 5-3/8".
Coved Corners: 3" vertical radius, 2-1/4" horizontal radius.
Bowl and Faucet Deck Recess: 3/16" below outside edge of sink.
Finish: Exposed surfaces are machine polished to a bright Celebrity finish.
Underside: Fully undercoated to dampen sound and prevent condensation.

OTHER

Drain Opening: 3-1/2" as illustrated.
Suffix "L" (left) or "R"(right) denotes drain opening located in left or right rear corner of bowl.

These sinks comply with ASME A112.19.3/ CSA B45.4



These sinks are compliant to ADA and ANSI/ICC A117.1 accessibility requirements when installed according to the requirements outlined in these standards.

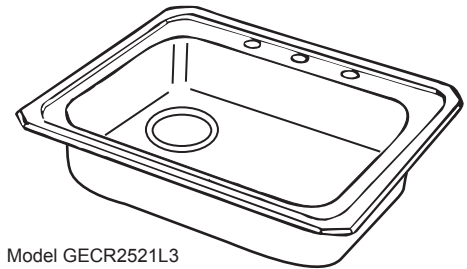
OPTIONAL ACCESSORIES

Rinsing Baskets: LKRB1520 and LKERBSS.

SINK DIMENSIONS (INCHES)*

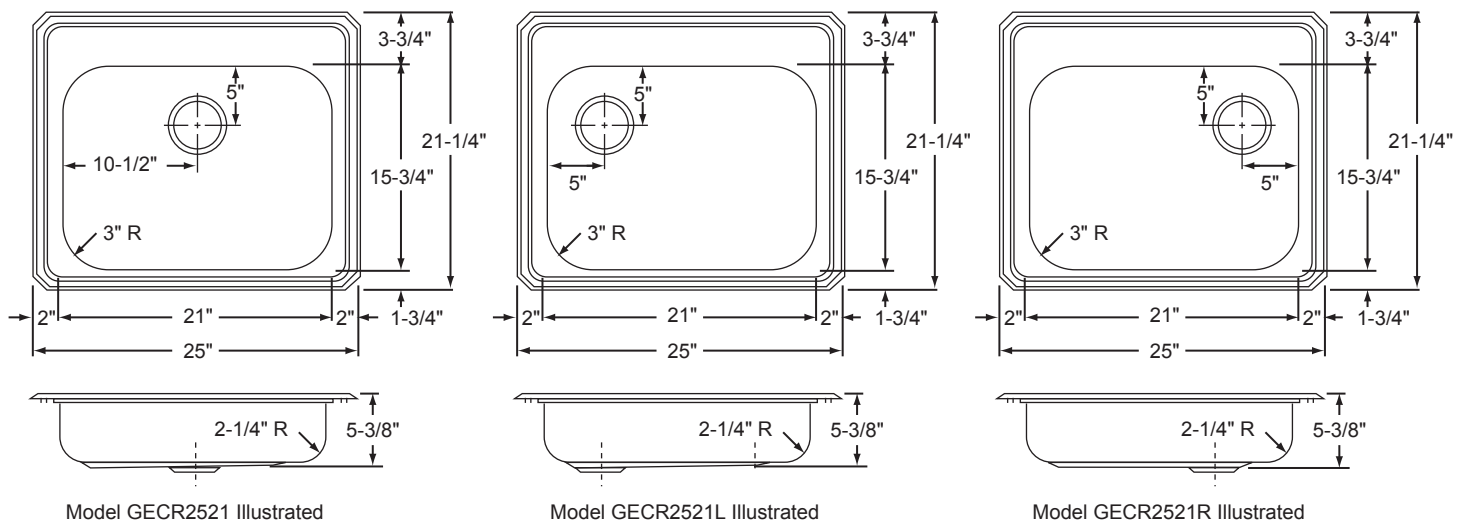
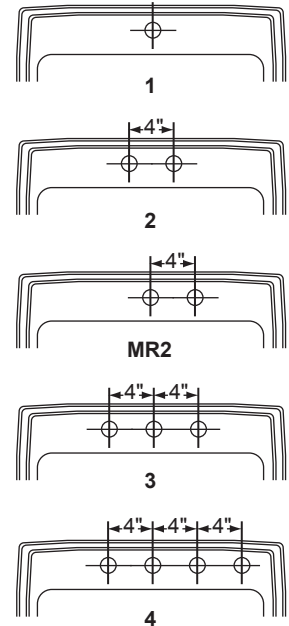
Model Number	Overall		Inside Bowl			Cutout in Countertop (1 1/2" Radius Corners)		No. of 1 1/2" Dia. Faucet Holes 4" Centers	3 1/2" Drain Opening	Minimum Cabinet Size	Ship. Wt. Lbs.
	L	W	L	W	D	L	W				
GECR2521	25	21 1/4	21	15 3/4	5 3/8	24 3/8	20 5/8	1, 2, MR2, 3 or 4	Off-Center	30	10 3/4
GECR2521L	25	21 1/4	21	15 3/4	5 3/8	24 3/8	20 5/8	1, 2, MR2, 3 or 4	Left	30	10 3/4
GECR2521R	25	21 1/4	21	15 3/4	5 3/8	24 3/8	20 5/8	1, 2, MR2, 3 or 4	Right	30	10 3/4

*Length is left to right. Width is front to back.



Model GECR2521L3

HOLE DRILLING CONFIGURATIONS



ALL DIMENSIONS IN INCHES, TO CONVERT TO MILLIMETERS MULTIPLY BY 25.4.

In keeping with our policy of continuing product improvement, Elkay reserves the right to change product specifications without notice.

This specification describes an Elkay product with design, quality and functional benefits to the user. When making a comparison of other producers' offerings, be certain these features are not overlooked.