

# DAYTON SPECIFICATIONS

## Dayton® A.D.A. Compliant Sink Models GE12522, GE12522L, And GE12522R

### GENERAL

Sink is formed of #22 (.8mm) gauge, 300 series, nickel-bearing stainless steel. Top mount.

### DESIGN FEATURES

Bowl Depth: 5-3/8" (137mm).

Coved Corners: 3" (76mm) vertical and 2-1/4" (57mm) horizontal radius.

Finish: Exposed surfaces are polished to a satin finish.

Underside: Undercoated on bottom of bowls.

### OTHER

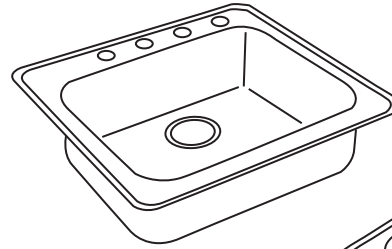
Drain Opening: 3-1/2" (89mm).

Suffix L (left) or R (right) denotes location of the drain.

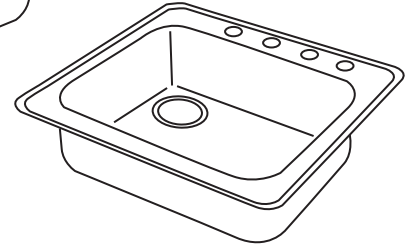
Sink complies with ASME A112.19.3-2008 / CSA B45.4-08.



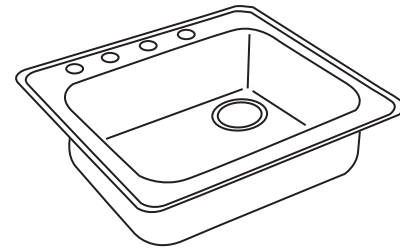
These sinks are compliant to ADA and ANSI/ICC A117.1 accessibility requirements when installed according to the requirements outlined in these standards.



Model GE12522



Model GE12522L4



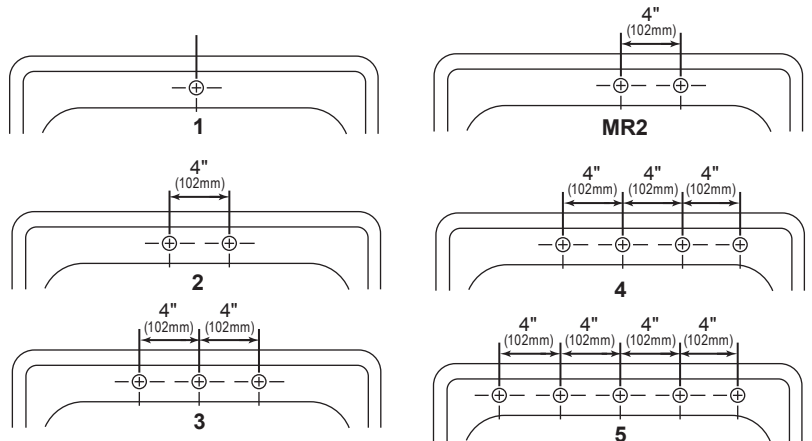
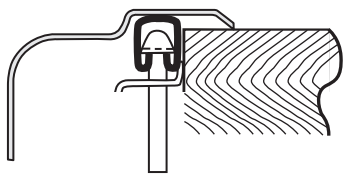
Model GE12522R4



### HOLE DRILLING CONFIGURATION

1-1/2" (38mm) Diameter Faucet Holes on 4" (102mm) Centers

#### U-Channel Type Mounting System



SEE OTHER SIDE FOR PRODUCT DIMENSIONS.

*In keeping with our policy of continuing product improvement, Elkay reserves the right to change product specifications without notice. Please visit [elkayusa.com](http://elkayusa.com) for most current version of Elkay product specification sheets.*

*This specification describes an Elkay product with design, quality, and functional benefits to the user. When making a comparison of others producers offerings, be certain these features are not overlooked.*

**Elkay**

[elkayusa.com](http://elkayusa.com)

2222 Camden Court  
Oak Brook, IL 60523

Printed in U.S.A.  
©2012 Elkay

(Rev. 3/12) 2-42G

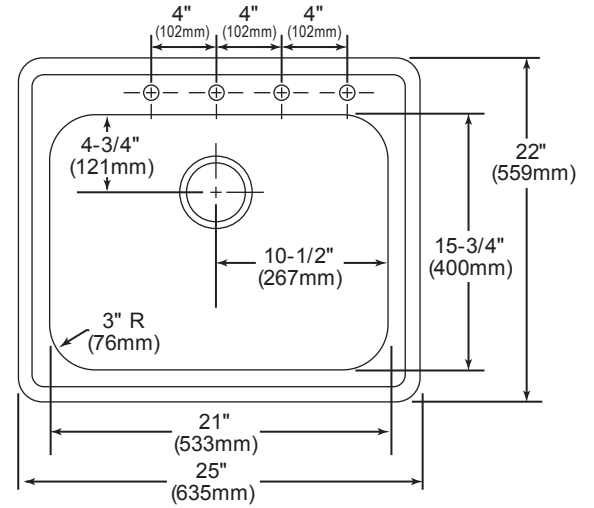
**Dayton® A.D.A. Compliant Sink**  
**Models GE12522, GE12522L,**  
**And GE12522R**

**DAYTON**  
**SPECIFICATIONS**

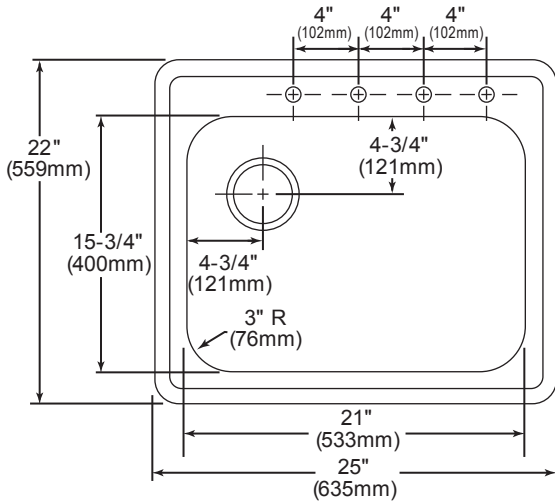
**SINK DIMENSIONS\***

Model Number	Overall		Inside Each Bowl			Cutout in Countertop (1 1/2" [38mm] Radius Corners)		No. of 1 1/2" (38mm) Dia. Faucet Holes	Minimum Cabinet Size
	L	W	L	W	D	L	W		
GE12522	25 (635mm)	22 (559mm)	21 (533mm)	15 3/4 (400mm)	5 3/8 (137mm)	24 3/8 (619mm)	21 3/8 (543mm)	1,2,3,4 5,MR2	30 (762mm)
GE12522L	25 (635mm)	22 (559mm)	21 (533mm)	15 3/4 (400mm)	5 3/8 (137mm)	24 3/8 (619mm)	21 3/8 (543mm)	1,2,3,4 5,MR2	30 (762mm)
GE12522R	25 (635mm)	22 (559mm)	21 (533mm)	15 3/4 (400mm)	5 3/8 (137mm)	24 3/8 (619mm)	21 3/8 (543mm)	1,2,3,4 5,MR2	30 (762mm)

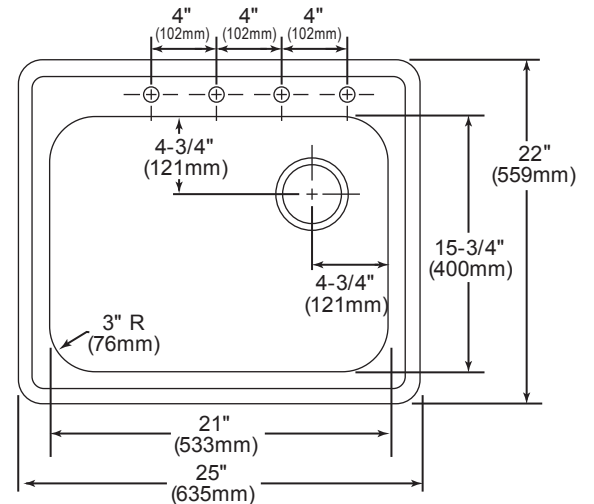
\*Length is left to right. Width is front to back.



Model GE125224 Illustrated



Model GE12522L4 Illustrated



Model GE12522R4 Illustrated