

ELKAY[®]

SPECIFICATIONS

Elite by Elkay™ Double Bowl Sink Model ESE250

GENERAL

Good quality sink formed of #20 gauge, type 301 nickel bearing stainless steel. Self-rimming.

DESIGN FEATURES

Bowl Depth: 8-1/8".

Coved Corners: 3" vertical radius, 2-1/4" horizontal radius.

Bowl and Faucet Deck Recess: 3/16" below outside edge of sink.

Finish: Bowl surfaces are polished to an ultra radiant finish. Deck and bowl radius have mirror finish.

Underside: Fully undercoated to dampen sound and prevent condensation.

OTHER

Drain Opening: 3-1/2".

Note: Unless otherwise specified, sink is furnished with 4 faucet holes as shown.

This sink does NOT comply with ASME A112.19.3.

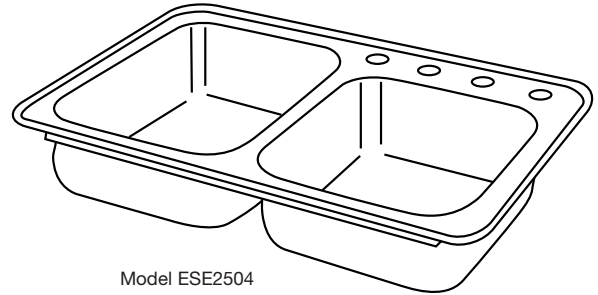
OPTIONAL ACCESSORIES

Rinsing Baskets: LKWRB1318SS (large bowl), LKWRB1316SS (small bowl), LKWERBSS (either bowl).

Utensil Caddy for Rinsing Basket: LKWUCSS.

Bottom Grid: LKWBG1415SS (small bowl).

Cutting Boards: CBR1316 (large bowl), CB1516 (small bowl).

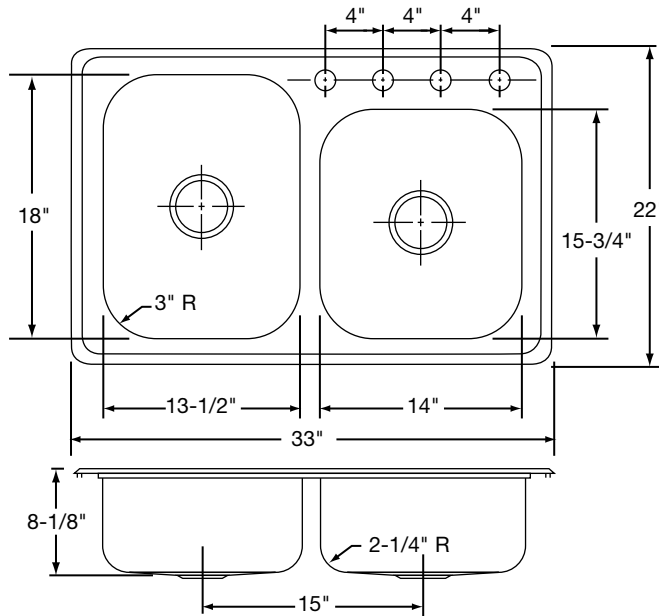


Model ESE2504

SINK DIMENSIONS (INCHES)*

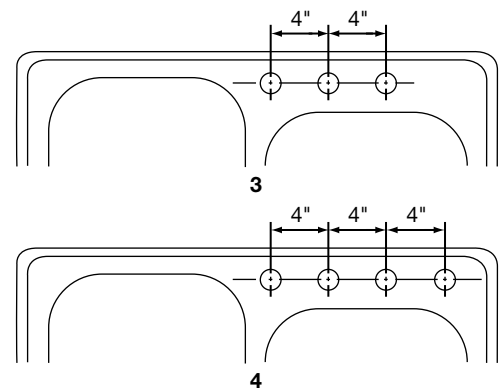
Model Number	Overall		Inside Each Bowl				Cutout in Countertop (1 1/2" Radius Corners)		No. of 1 1/2" Dia. Faucet Holes 4" Centers	Minimum Cabinet Size		
	L	W	Left		Right		L	W				
ESE250	33	22	13 1/2	18	8 1/8	14	15 3/4	8 1/8	32 3/8	21 3/8	3 or 4	36

*Length is left to right. Width is front to back.



Model ESE2504 Illustrated

HOLE DRILLING CONFIGURATIONS



ALL DIMENSIONS IN INCHES, TO CONVERT TO MILLIMETERS MULTIPLY BY 25.4.

In keeping with our policy of continuing product improvement, Elkay reserves the right to change product specifications without notice.

This specification describes an Elkay product with design, quality and functional benefits to the user. When making a comparison of other producers' offerings, be certain these features are not overlooked.

Elkay

elkayusa.com

2222 Camden Court
Oak Brook, IL 60523

Printed in U.S.A.
©2007 Elkay

(Rev. 7/07) 1-151B