

# ELKAY® SPECIFICATIONS

## Gourmet Single Bowl Sink Model ESE202010

### GENERAL

Good quality sink formed of #20 (1.0mm) gauge, type 304 (18-8) nickel bearing stainless steel. Self-rimming.

### DESIGN FEATURES

Bowl Depth: 10" (254mm).

Coved Corners: 3" (76mm) vertical radius, 2-1/4" (57mm) horizontal radius.

Finish: Exposed surfaces are polished to Brushed Satin Finish.

Underside: Fully undercoated to dampen sound and reduce condensation.

### OTHER

Drain Opening: 3-1/2" (89mm).

Installation hardware for 3/4" (19mm) thick countertop included.

This sink complies with ASME A112.19.3-08/CSA B45.4-08.

### OPTIONAL ACCESSORIES

Bottom Grid: LKWBG1415SS.

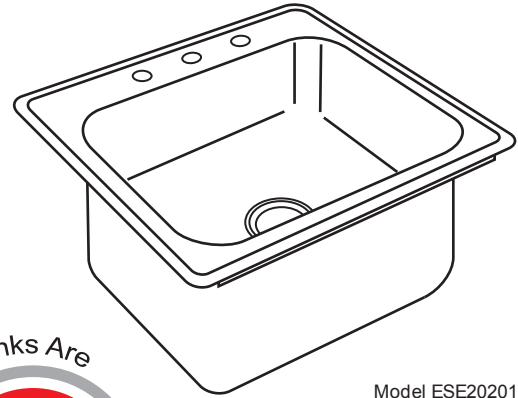
Cutting Board: CB1516.

Drain: LK99.

Installation hardware for thicker countertops: LK363 (up to 1-1/2" [38mm] thick; LK463 (up to 2-1/2" [66mm] thick).

Rinsing Baskets: LKWRB1316SS, LKWERBSS.

Utensil Caddy for Rinsing Basket: LKWUCSS.



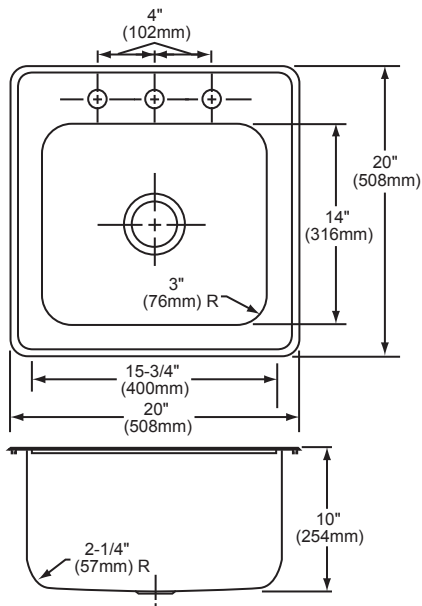
Model ESE2020103



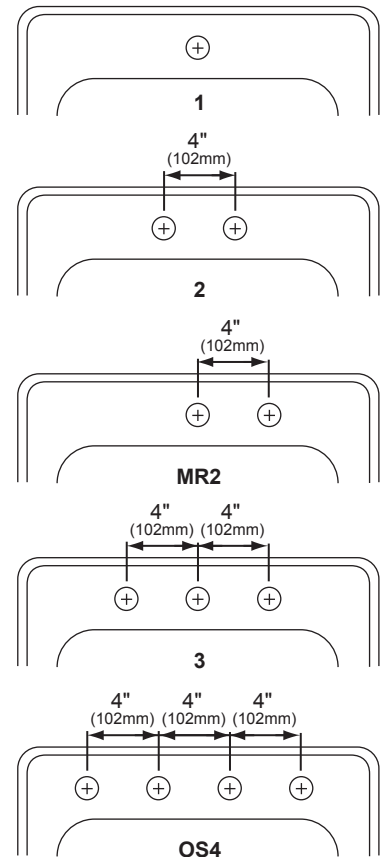
### SINK DIMENSIONS\*

Model Number	Overall		Inside Each Bowl			Cutout in Countertop 1 1/2" (38mm) Radius Corners		No. of 1 1/2" (38mm) Dia. Faucet Holes	Minimum Cabinet Size
	L	W	L	W	D	L	W		
ESE202010	20 (508mm)	20 (508mm)	15 3/4 (400mm)	14 (356mm)	10 (254mm)	19 3/8 (492mm)	19 3/8 (492mm)	1, 2, MR2, 3 or OS4	24 (610mm)

\*Length is left to right. Width is front to back.



### HOLE DRILLING CONFIGURATIONS



In keeping with our policy of continuing product improvement, Elkay reserves the right to change product specifications without notice. Please visit [elkay.com](http://elkay.com) for the most current version of Elkay product specification sheets.

This specification describes an Elkay product with design, quality, and functional benefits to the user. When making a comparison of other producers' offerings, be certain these features are not overlooked.