

**Lavatory Sink, Wall Mounted  
Models ELV2219CS, ELV2219,  
ELVWO2219CS and ELVWO2219**



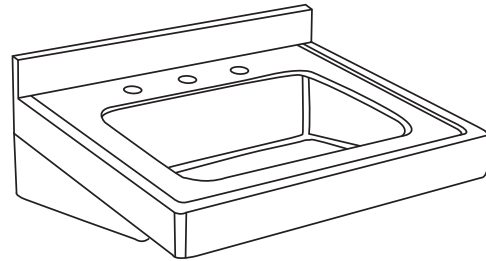
**SPECIFICATIONS**

**GENERAL**

#18 gauge, type 304 (18-8) stainless steel lavatory with 5/32" (4mm) raised rims and 2-1/2" (64mm) high backsplash. Compartment has 1-3/4" (44mm) radius vertical and horizontal covered corners. 2-1/2" (64mm) apron at front and both sides. Exposed surfaces are hand blended to a uniform satin lustrous finish. Rear centered outlet. Drain opening 1-5/8" (41mm). Underside is sound deadened. Furnished with integral stainless steel support brackets and separate wall hanger. Meets ADA requirements.



ADA Compliant



Model ELV2219

**FOLLOWING MODELS DO NOT INCLUDE FAUCET AND FITTING:**

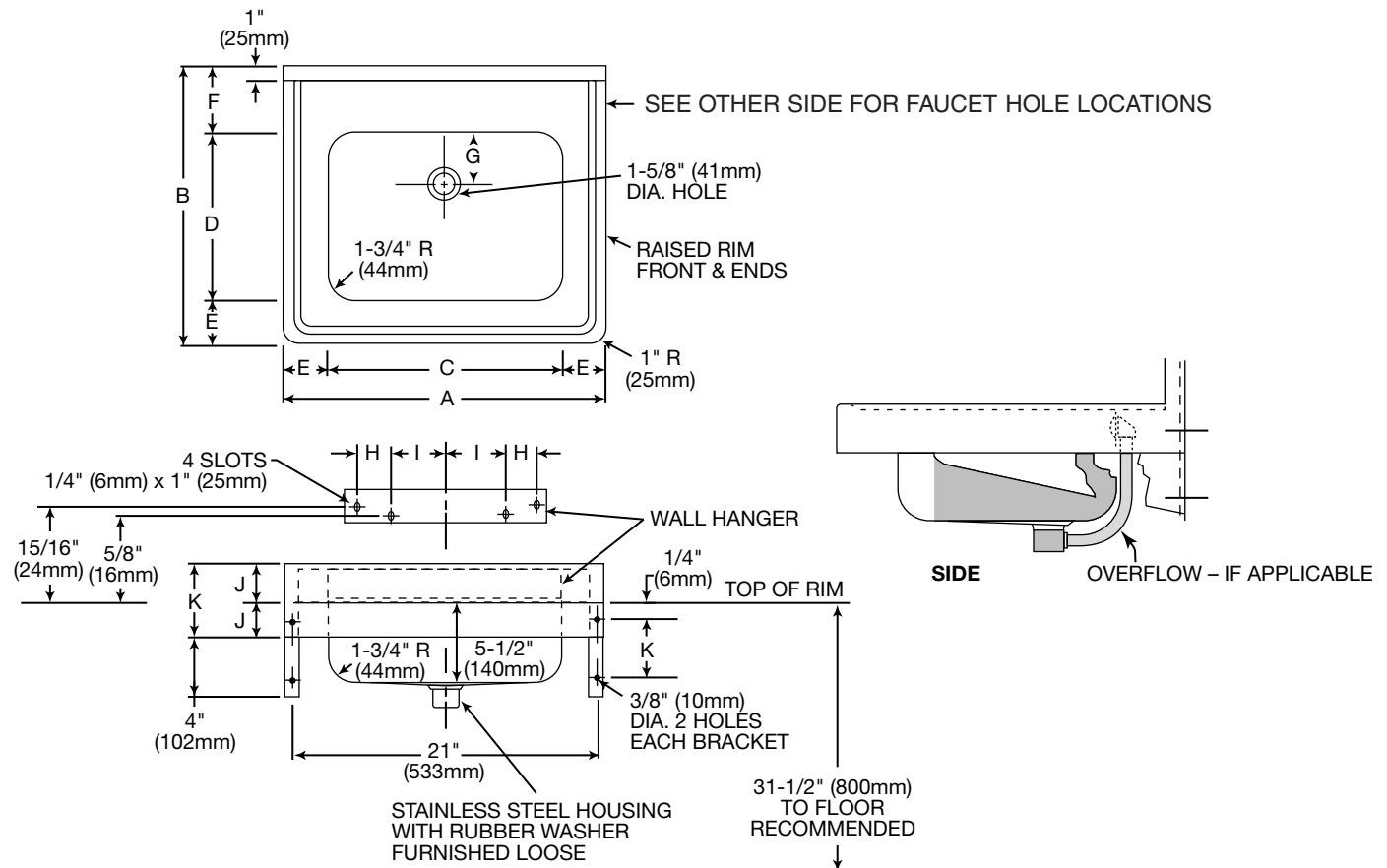
(CHECK MODEL SPECIFIED)

See other side for faucet hole locations

- ELV2219
- ELV2219CS
- ELVWO2219 (With connected overflow)
- ELVWO2219CS (With connected overflow)

**DIMENSIONS**

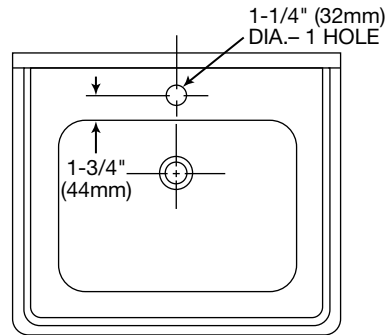
Model Number	A		B		C		D		E		F		G		H		I		J		K	
	in.	mm	in.	mm	in.	mm	in.	mm	in.	mm	in.	mm	in.	mm	in.	mm	in.	mm	in.	mm	in.	mm
ELV2219	22	559	19	483	16	406	11 1/2	292	3	76	4 1/2	114	3 1/2	89	2 5/8	67	4 15/16	125	2 1/2	64	5	127
ELVWO2219	22	559	19	483	16	406	11 1/2	292	3	76	4 1/2	114	3 1/2	89	2 5/8	67	4 15/16	125	2 1/2	64	5	127



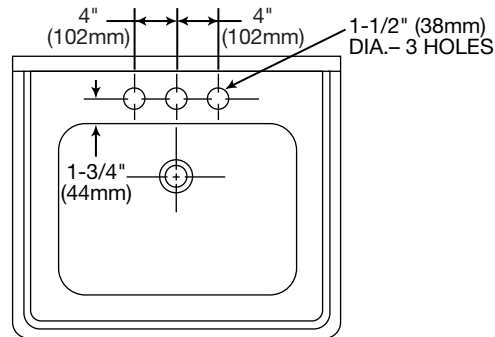
*In keeping with our policy of continuing product improvement, Elkay reserves the right to change product specifications without notice.*

**SPECIFICATIONS**

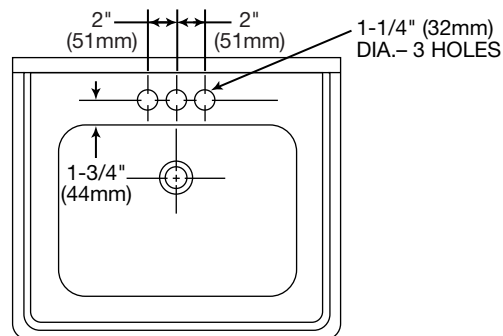
**HOLE DRILLING CONFIGURATIONS**



Models ELV22191  
ELVWO22191



Models ELV22193  
ELVWO22193



Models ELV2219CS3  
ELVWO2219CS3