

**Lustertone® Undermount
Double Bowl Sink with Apron
Model ELUHF3320**



SPECIFICATIONS

GENERAL

Highest quality sink seamlessly drawn of #18 gauge, type 304 (18-8) nickel bearing stainless steel. Underside of sink is fully protected by heavy duty Sound Guard™ undercoating. Designed to accept waste disposer.

DESIGN FEATURES

Bowl Depth: 7-7/8".

Finish: Exposed surfaces are hand blended to a lustrous high-lighted satin finish. ELUHF models have highlighted inside top bowl radius.

Underside: Underside of sink is fully protected by heavy duty Sound Guard™ undercoating to prevent condensation and deaden sound.

OTHER

Drain Opening: 3-1/2".

Note: For solid surface countertop installation only.

Installation: See illustrated profile below.

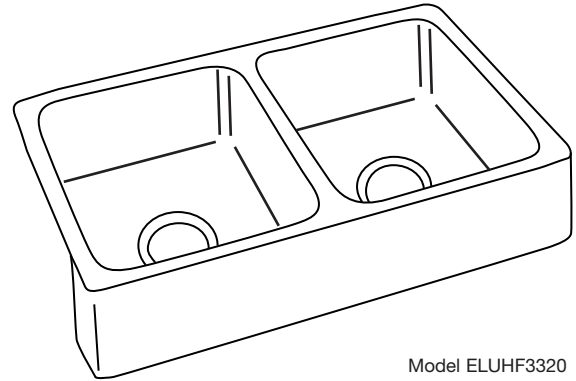
Countertop mounting clips are packed with every sink.

OPTIONAL ACCESSORIES

Rinsing Baskets: LKRB1611 and LKERBSS.

Bottom Grid: LKBG1613.

Cutting Boards: CB1613, CB1716, CBC1714, CBR1316, CBS1316, CBT1613 and CBT1713.

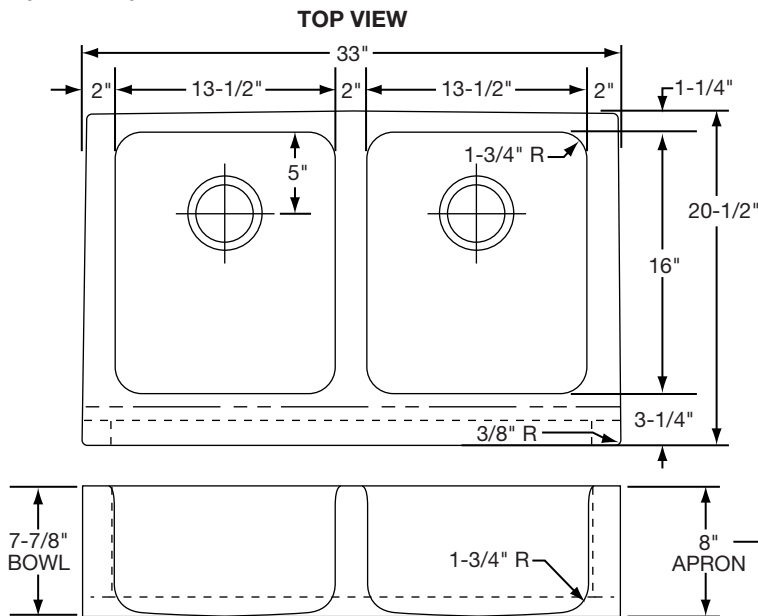


Model ELUHF3320

SINK DIMENSIONS (INCHES)*

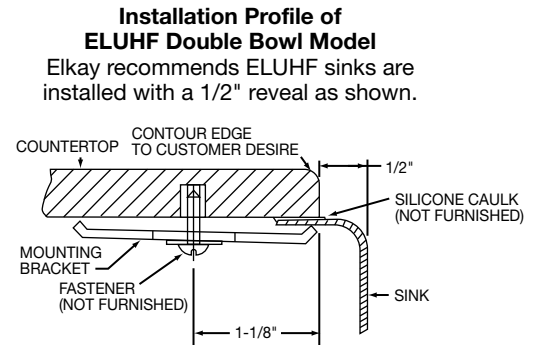
Model Number	Overall		Inside Each Bowl			Ship. Wt. Lbs.
	L	W	L	W	D	
ELUHF3320	33	20 1/2	13 1/2	16	7 7/8	29 1/4

*Length is left to right. Width is front to back.



Model ELUHF3320 Illustrated

ALL DIMENSIONS IN INCHES. TO CONVERT TO MILLIMETERS MULTIPLY BY 25.4.



In keeping with our policy of continuing product improvement, Elkay reserves the right to change product specifications without notice.

This specification describes an Elkay product with design, quality and functional benefits to the user. When making a comparison of other producers' offerings, be certain these features are not overlooked.