

# ELKAY<sup>®</sup>

## SPECIFICATIONS

### Gourmet Undermount Sink with Perfect Drain™ Model ELUHAD Series - A.D.A. Compliant

#### GENERAL

Highest quality sink formed of #18 (1.2mm) gauge, type 304 (18-8) nickel bearing stainless steel with **Perfect Drain**. Undermount.

#### DESIGN FEATURES

Bowl Depths : See chart on next page.

Coved Corners: 1-3/4" (44mm) vertical and horizontal radius.

Finish: Exposed surfaces are hand blended to a Lustrous Highlighted Satin finish.

Underside: Fully protected by Sound Guard<sup>®</sup> undercoating to reduce condensation and dampen sound.

**Perfect Drain:** Seamlessly welded stainless steel collar eliminates the gap between a traditional drain and the sink for a sanitary and gap free installation.

Each sink shipped with one LKPD1 drain kit, or a garbage disposer can be installed on sink bowl for user convenience.

#### Patent Pending

#### OTHER

Drain opening: 3-3/8" (86mm)

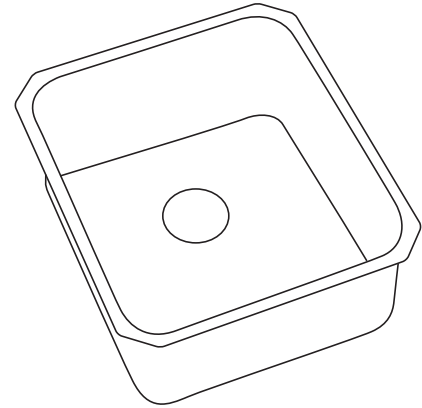
NOTE: All Elkay undermount sinks are designed to affix to the underside of any solid surface countertop.

Waste Fitting complies with ASME A112.18.2/CAN/CSA-B125.2

Sink complies with ASME A112.19.3/ CSA B45.4

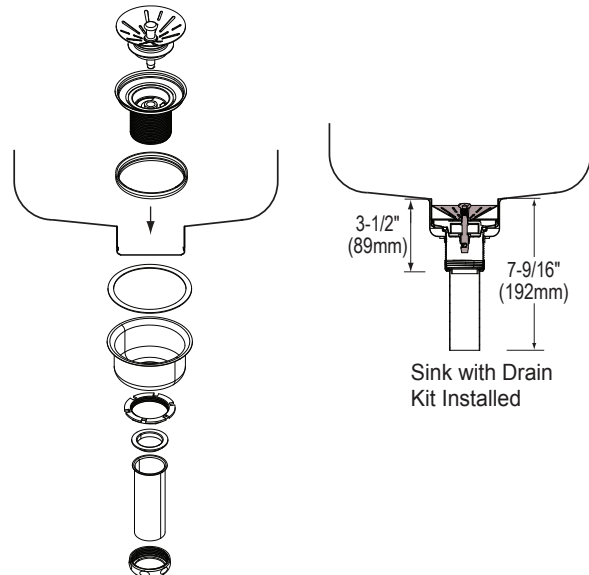


Sinks are listed by IAPMO<sup>®</sup> as meeting the applicable requirements of the Uniform Plumbing Code<sup>®</sup>, International Plumbing Code<sup>®</sup>, and National Plumbing Code of Canada.



Model ELUHAD131655PD

THIS PRODUCT, AS CONSTRUCTED IS SUBJECT TO INTERPRETATION OF A.D.A. REQUIREMENTS. THE UNOBSTRUCTED KNEE SPACE REQUIRED TO SATISFY A.D.A. STANDARDS MAY NOT BE DESIRABLE.



SEE NEXT PAGE FOR PRODUCT DIMENSIONS.

In keeping with our policy of continuing product improvement, Elkay reserves the right to change product specifications without notice. Please visit [elkay.com](http://elkay.com) for the most current version of Elkay product specification sheets.

This specification describes an Elkay product with design, quality, and functional benefits to the user. When making a comparison of others producers offerings, be certain these features are not overlooked.

# ELKAY<sup>®</sup>

## SPECIFICATIONS

### Gourmet Undermount Sink with Perfect Drain™

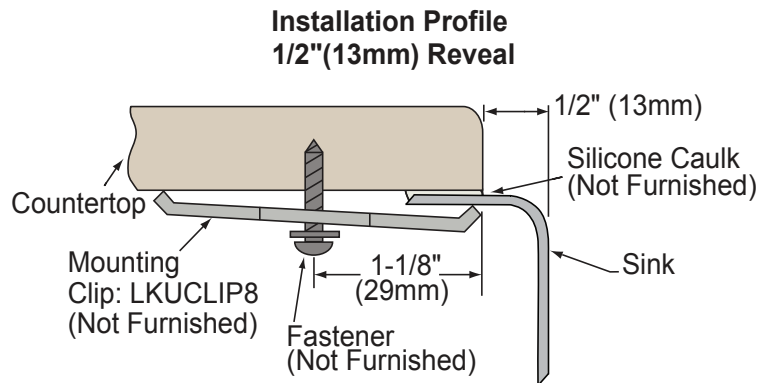
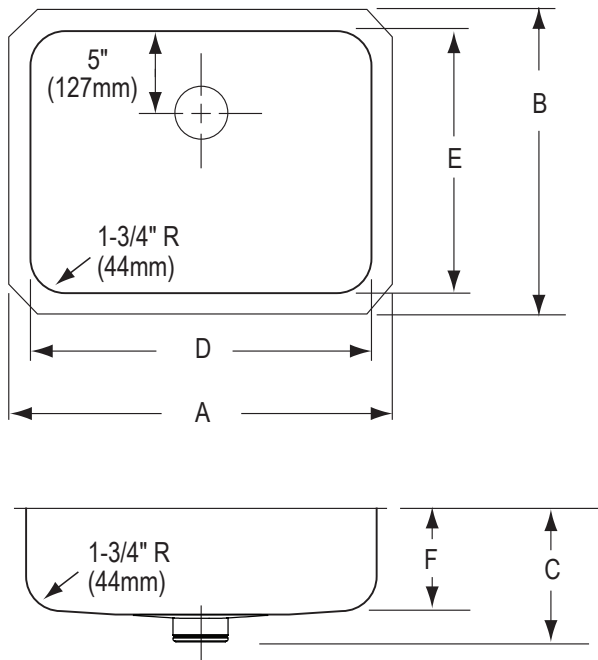
#### Model ELUHAD Series - A.D.A. Compliant

#### SINK DIMENSIONS\*

Model Number	Overall			Inside Bowl			Cutout in Countertop	Minimum Cabinet Size
	L	W	D	L	W	D		
	A	B	C	D	E	F		
ELUHAD131645PD	16 (406mm)	18-1/2 (470mm)	5-7/8 (149mm)	13-1/2 (343mm)	16 (406mm)	4-3/8 (111mm)	See Template**	21 (533mm)
ELUHAD131650PD	16 (406mm)	18-1/2 (470mm)	6-3/8 (162mm)	13-1/2 (343mm)	16 (406mm)	4-7/8 (124mm)		21 (533mm)
ELUHAD131655PD	16 (406mm)	18-1/2 (470mm)	6-7/8 (175mm)	13-1/2 (343mm)	16 (406mm)	5-3/8 (137mm)		21 (533mm)
ELUHAD141845PD	16-1/2 (419mm)	20-1/2 (521mm)	5-7/8 (149mm)	14 (356mm)	18 (457mm)	4-3/8 (111mm)		21 (533mm)
ELUHAD141850PD	16-1/2 (419mm)	20-1/2 (521mm)	6-3/8 (162mm)	14 (356mm)	18 (457mm)	4-7/8 (124mm)		21 (533mm)
ELUHAD141855PD	16-1/2 (419mm)	20-1/2 (521mm)	6-7/8 (175mm)	14 (356mm)	18 (457mm)	5-3/8 (137mm)		21 (533mm)
ELUHAD211545PD	23-1/2 (597mm)	18-1/4 (464mm)	5-7/8 (149mm)	21 (533mm)	15-3/4 (400mm)	4-3/8 (111mm)		27 (686mm)
ELUHAD211550PD	23-1/2 (597mm)	18-1/4 (464mm)	6-3/8 (162mm)	21 (533mm)	15-3/4 (400mm)	4-7/8 (124mm)		27 (686mm)
ELUHAD211555PD	23-1/2 (597mm)	18-1/4 (464mm)	6-7/8 (175mm)	21 (533mm)	15-3/4 (400mm)	5-3/8 (137mm)		27 (686mm)
ELUHAD281645PD	30-1/2 (795mm)	18-1/2 (464mm)	5-7/8 (149mm)	28 (711mm)	16 (406mm)	4-3/8 (111mm)		36 (914mm)
ELUHAD281650PD	30-1/2 (795mm)	18-1/2 (464mm)	6-3/8 (162mm)	28 (711mm)	16 (406mm)	4-7/8 (124mm)		36 (914mm)
ELUHAD281655PD	30-1/2 (795mm)	18-1/2 (464mm)	6-7/8 (175mm)	28 (711mm)	16 (406mm)	5-3/8 (137mm)		36 (914mm)

\*Length is left to right. Width is front to back.

\*\*Template 1000001399(ELUHAD1316), 1000001307(ELUHAD1418), 1000001400(ELUHAD2115), or 1000001414(ELUHAD2816) is packed with every sink.



In keeping with our policy of continuing product improvement, Elkay reserves the right to change product specifications without notice. Please visit [elkay.com](http://elkay.com) for the most current version of Elkay product specification sheets.

This specification describes an Elkay product with design, quality, and functional benefits to the user. When making a comparison of others producers offerings, be certain these features are not overlooked.