

ELKAY[®]

SPECIFICATIONS

Gourmet Undermount Sink with Perfect Drain[™] Model ELUH3220PD and ELUH322010PD

GENERAL

Highest quality sink formed of #18 (1.2mm) gauge, type 304 (18-8) nickel bearing stainless steel with **Perfect Drain**. Undermount.

DESIGN FEATURES

Bowl Depth: See chart on next page.

Coved Corners: 1-3/4" (44mm) vertical and horizontal radius.

Finish: Exposed surfaces are hand blended to a Lustrous Highlighted Satin finish.

Underside: Fully protected by Sound Guard[®] undercoating to reduce condensation and dampen sound.

Perfect Drain: Seamlessly welded stainless steel collar eliminates the gap between a traditional drain and the sink for a sanitary and gap free installation. Each sink shipped with two LKPD1 drain kits, or a garbage disposer can be installed on either sink bowl for user convenience.

Patent Pending

OTHER

Drain opening: 3-3/8" (86mm)

NOTE: All Elkay undermount sinks are designed to affix to the underside of any solid surface countertop.

Waste Fitting complies with ASME A112.18.2/CAN/CSA-B125.2

Sink complies with ASME A112.19.3/ CSA B45.4



Sinks are listed by IAPMO[®] as meeting the applicable requirements of the Uniform Plumbing Code[®], International Plumbing Code[®], and National Plumbing Code of Canada.

OPTIONAL ACCESSORIES

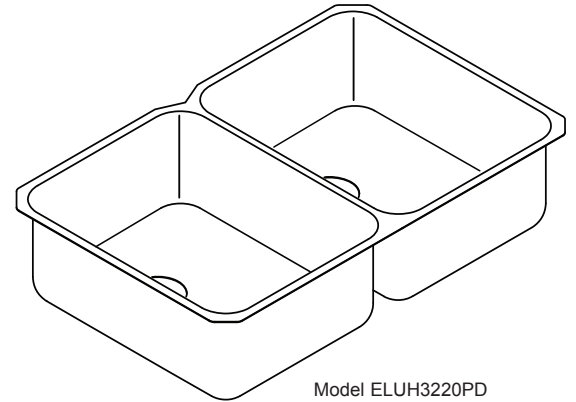
Bottom Grid: LKWOBG1418SS

Cutting Boards: (Reveal mount only) CBR1418, CBS1418

Mounting Clip: LKUCLIP8 (2 packages required)

Rinsing Baskets: LKWRB1418SS, LKWERBSS

Utensil Caddy for Rinsing Basket: LKWUCSS



Model ELUH3220PD

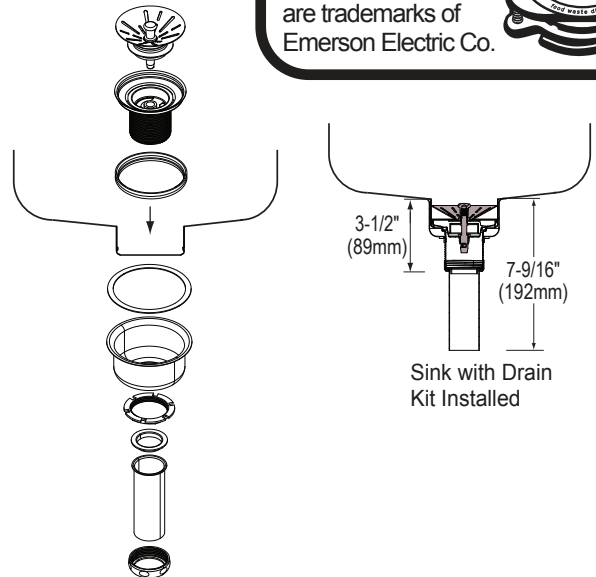
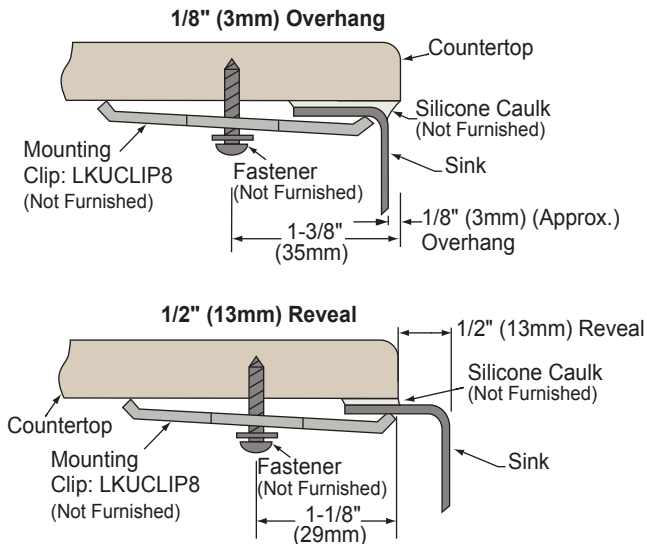
in sink erator[®]

Elkay[®] Perfect Drain[™] sinks are designed and approved for compatible disposers manufactured by InSinkEerator[®] utilizing the Quick Lock[®] mounting configuration. Use of non-approved disposers may void Elkay warranty.

InSinkEerator, Quick Lock and the mounting collar configuration are trademarks of Emerson Electric Co.



Installation Profile



In keeping with our policy of continuing product improvement, Elkay reserves the right to change product specifications without notice. Please visit elkay.com for the most current version of Elkay product specification sheets.

This specification describes an Elkay product with design, quality, and functional benefits to the user. When making a comparison of other producers' offerings, be certain these features are not overlooked.

ELKAY[®]

SPECIFICATIONS

Gourmet Undermount Sink with Perfect Drain[™]

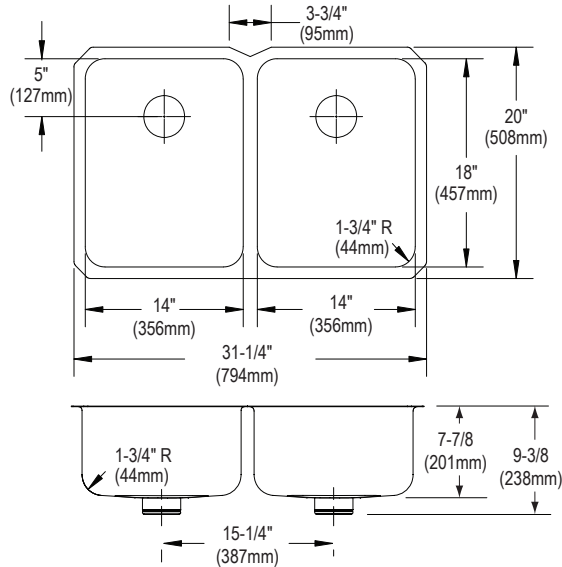
Model ELUH3220PD and ELUH322010PD

SINK DIMENSIONS*

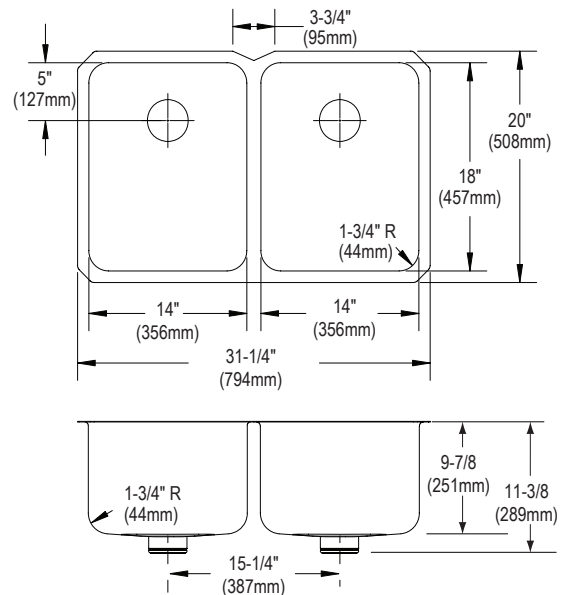
Model Number	Overall			Inside Each Bowl			Cutout in Countertop	Minimum Cabinet Size
	L	W	D	L	W	D		
ELUH3220PD	31-1/4 (794mm)	20 (508mm)	9-3/8 (238mm)	14 (356mm)	18 (457mm)	7-7/8 (200mm)	See Template**	36 (914mm)
ELUH322010PD	31-1/4 (794mm)	20 (508mm)	11-3/8 (289mm)	14 (356mm)	18 (457mm)	9-7/8 (251mm)		36 (914mm)

*Length is left to right. Width is front to back.

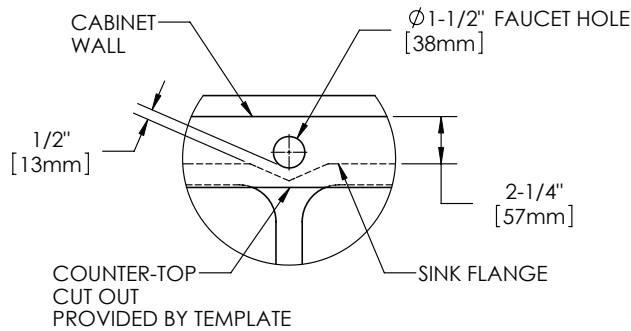
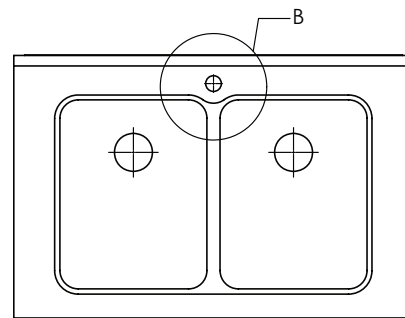
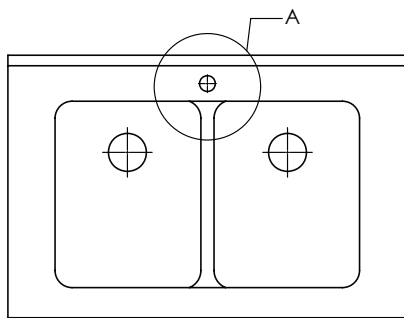
**Template #1000001298 is packed with every sink.



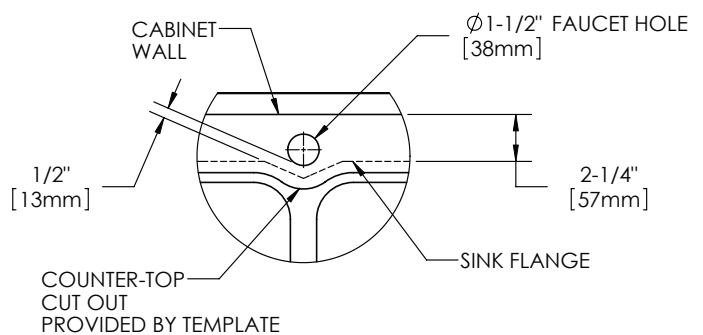
ELUH3220 Illustrated



ELUH322010 Illustrated



1/8" OVERHANG INSTALLATION
DETAIL A



1/2" REVEAL INSTALLATION
DETAIL B

In keeping with our policy of continuing product improvement, Elkay reserves the right to change product specifications without notice. Please visit elkay.com for the most current version of Elkay product specification sheets.

This specification describes an Elkay product with design, quality, and functional benefits to the user. When making a comparison of other producers' offerings, be certain these features are not overlooked.