

ELKAY[®]

SPECIFICATIONS

Gourmet Undermount Sink with Perfect Drain™ Model ELUH3118PD Series

NEW ELUH Installation Options

ELUH models have been redesigned to accommodate 1/2" reveal and no reveal installation options.

GENERAL

Highest quality sink formed of #18 (1.2mm) gauge, type 304 (18-8) nickel bearing stainless steel with **Perfect Drain**. Undermount.

DESIGN FEATURES

Bowl Depths: See chart on next page.

Coved Corners: 1-3/4" (44mm) vertical and horizontal radius.

Finish: Exposed surfaces are hand blended to a Lustrous Highlighted Satin finish.

Underside: Underside of sink is fully protected by heavy duty Sound Guard[®] undercoating to reduce condensation and dampen sound.

Perfect Drain: Seamlessly welded stainless steel collar eliminates the gap between a traditional drain and the sink for a sanitary and gap free installation. Each sink is shipped with two LKPD1 drain kits, or a garbage disposer can be installed on either sink bowl for user convenience.

Patent Pending

OTHER

Drain opening: 3-3/8" (86mm)

Suffix: L (left) or R (right) denotes location of the small bowl.

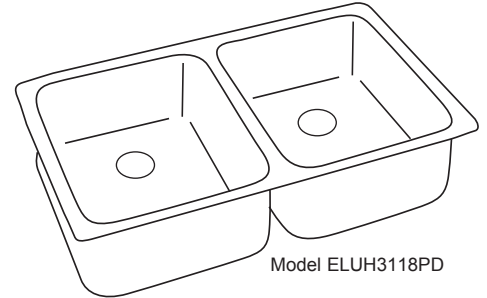
NOTE: All Elkay undermount sinks are designed to affix to the underside of any solid surface countertop.

Waste Fitting complies with ASME A112.18.2/CAN/CSA-B125.2

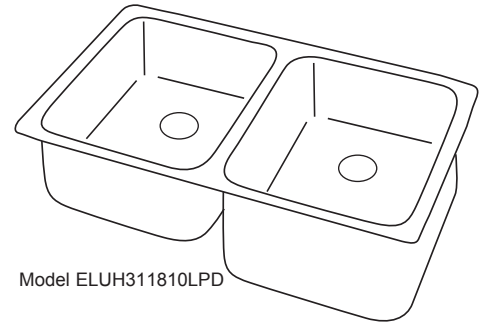
Sink complies with ASME A112.19.3/ CSA B45.4



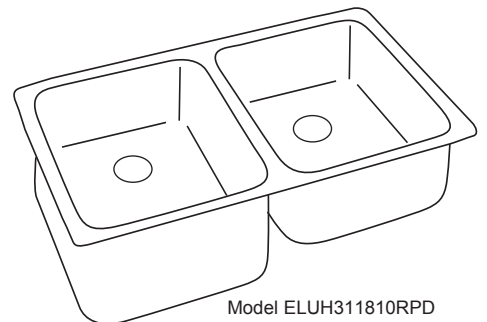
Sinks are listed by IAPMO[®] as meeting the applicable requirements of the Uniform Plumbing Code[®], International Plumbing Code[®], and National Plumbing Code of Canada.



Model ELUH3118PD



Model ELUH311810LPD



Model ELUH311810RPD

SINK PACKAGES

MODEL	SINK	BOTTOM GRID	QTY	DRAIN	QTY
ELUH3118PDBG	ELUH3118PD	LKWOBG1316SS	1	LKPD1	2
ELUH311810PDBG	ELUH311810PD	LKWOBG1316SS	1	LKPD1	2
ELUH311810LPDBG	ELUH311810LPD	LKWOBG1316SS	1	LKPD1	2
ELUH311810RPDBG	ELUH311810RPD	LKWOBG1316SS	1	LKPD1	2

OPTIONAL ACCESSORIES

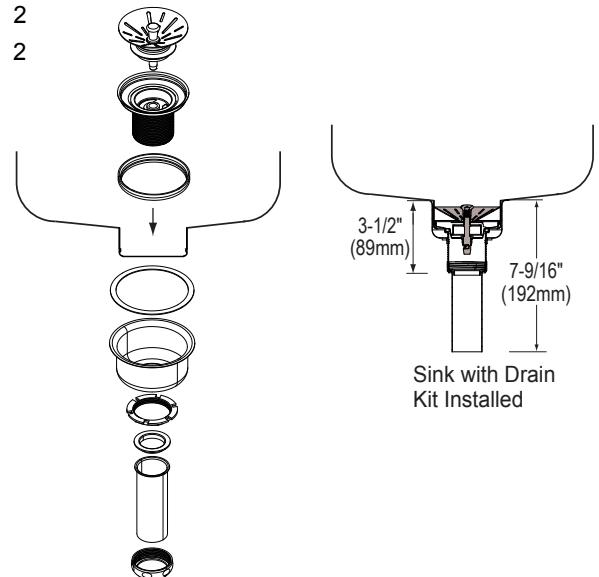
Bottom Grid: LKWOBG1316SS

Cutting Boards: (All cutting boards for reveal mount only) CB1613, CB1713, CBR1316, CBS1316

Mounting Clip: LKUCLIP8 (2 packages required)

Rinsing Baskets: LKWRB1316SS, LKWERBSS

Utensil Caddy for Rinsing Basket: LKWUCSS



In keeping with our policy of continuing product improvement, Elkay reserves the right to change product specifications without notice. Please visit elkay.com for the most current version of Elkay product specification sheets.

This specification describes an Elkay product with design, quality, and functional benefits to the user. When making a comparison of other producers' offerings, be certain these features are not overlooked.

ELKAY[®]

SPECIFICATIONS

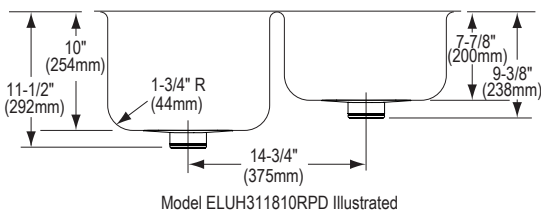
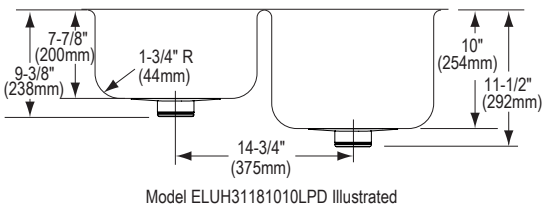
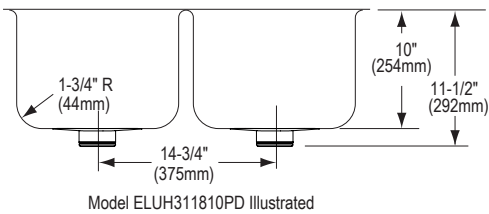
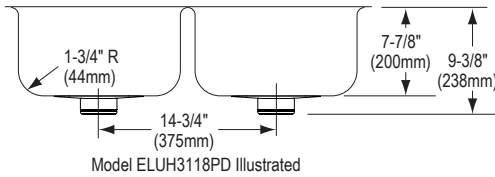
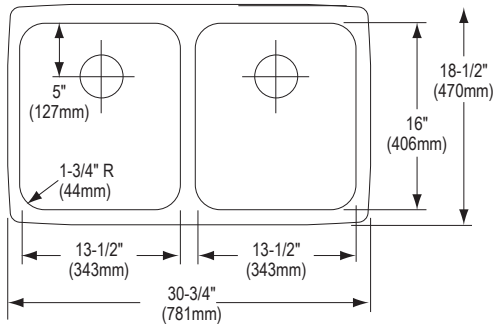
Gourmet Undermount Sink with Perfect Drain[™] Model ELUH3118PD Series

SINK DIMENSIONS*

Model Number	Overall				Inside Left Bowl			Inside Right Bowl			Cutout in Countertop	Minimum Cabinet Size
	L	W	D Left	D Right	L	W	D	L	W	D		
ELUH3118PD	30-3/4 (781mm)	18-1/2 (470mm)	9-3/8 (238mm)	9-3/8 (238mm)	13-1/2 (343mm)	16 (406mm)	7-7/8 (200mm)	13-1/2 (343mm)	16 (406mm)	7-7/8 (200mm)	See Template**	36 (914mm)
ELUH311810PD	30-3/4 (781mm)	18-1/2 (470mm)	11-1/2 (292mm)	11-1/2 (292mm)	13-1/2 (343mm)	16 (406mm)	10 (254mm)	13-1/2 (343mm)	16 (406mm)	10 (254mm)		36 (914mm)
ELUH311810LPD	30-3/4 (781mm)	18-1/2 (470mm)	9-3/8 (238mm)	11-1/2 (292mm)	13-1/2 (343mm)	16 (406mm)	7-7/8 (200mm)	13-1/2 (343mm)	16 (406mm)	10 (254mm)		36 (914mm)
ELUH311810RPD	30-3/4 (781mm)	18-1/2 (470mm)	11-1/2 (292mm)	9-3/8 (238mm)	13-1/2 (343mm)	16 (406mm)	10 (254mm)	13-1/2 (343mm)	16 (406mm)	7-7/8 (200mm)		36 (914mm)

*Length is left to right. Width is front to back.

**Template #1000001312 is packed with every sink.



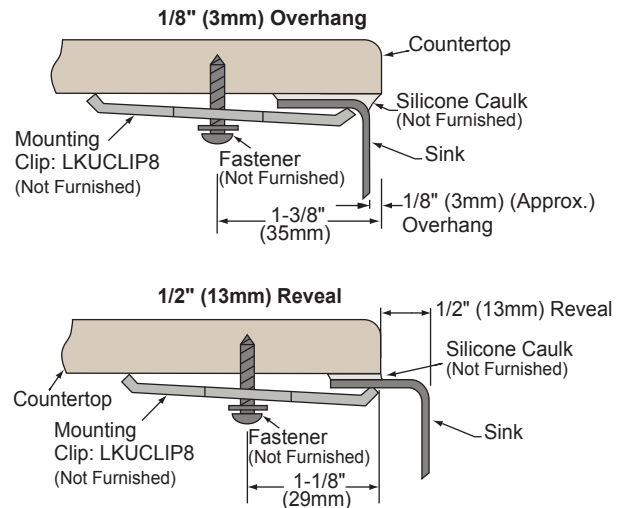
in sink erator[®]

Elkay[®] Perfect Drain[™] sinks are designed and approved for compatible disposers manufactured by InSinkErator[®] utilizing the Quick Lock[®] mounting configuration. Use of non-approved disposers may void Elkay warranty.

InSinkErator, Quick Lock and the mounting collar configuration are trademarks of Emerson Electric Co.



Installation Profile



In keeping with our policy of continuing product improvement, Elkay reserves the right to change product specifications without notice. Please visit elkay.com for the most current version of Elkay product specification sheets.

This specification describes an Elkay product with design, quality, and functional benefits to the user. When making a comparison of other producers' offerings, be certain these features are not overlooked.