

ELKAY[®]

SPECIFICATIONS

Gourmet™ Undermount Single Bowl Sink Model ELUH1116

GENERAL

Highest quality sink formed of #18 (1.2mm) gauge, type 304 (18-8) nickel bearing stainless steel. Undermount.

DESIGN FEATURES

Bowl Depth: 7-7/8" (200mm).

Coved Corners: 1-3/4" (44mm) vertical and horizontal radius.

Finish: Exposed surfaces are hand polished to a Lustrous Highlighted Satin finish.

Underside: Fully protected by heavy duty Sound Guard® undercoating to reduce condensation and dampen sound.

OTHER

Drain Opening: 3-1/2" (89mm).

Note: All Elkay undermount sinks are designed to affix to the underside of any solid surface countertop.

Installation: See illustrated profile below.

Sink complies with ASME A112.19.3-2008 / CSA B45.4-08

OPTIONAL ACCESSORIES

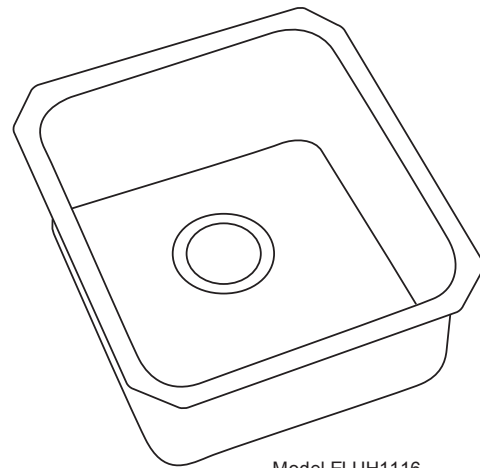
Bottom Grid: LKWOBG1116SS

Drain: LK99

Mounting Clip: LKUCLIP8

Rinsing Basket: LKWRB1116SS

Utensil Caddy for Rinsing Basket: LKWUCSS



Model ELUH1116

SINK PACKAGE(S)

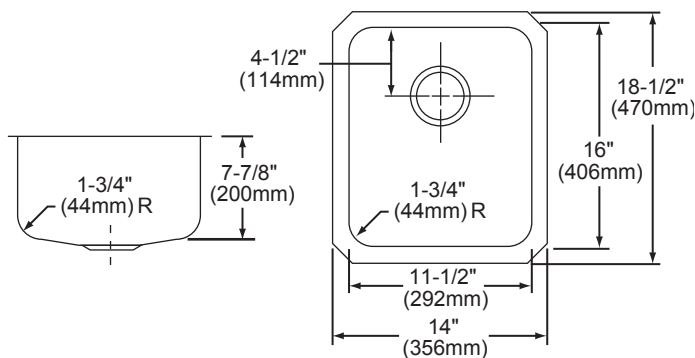
MODEL	SINK	BOTTOM GRID	QTY	DRAIN	QTY
ELUH1116DBG	ELUH1116	LKWOBG1116SS	1	LK99	1

SINK DIMENSIONS*

Model Number	Overall		Inside Bowl			Cutout in Countertop	Minimum Cabinet Size
	L	W	L	W	D		
ELUH1116	14 (356mm)	18 1/2 (470mm)	11 1/2 (292mm)	16 (406mm)	7 7/8 (200mm)	See Template**	18 (457mm)

*Length is left to right. Width is front to back.

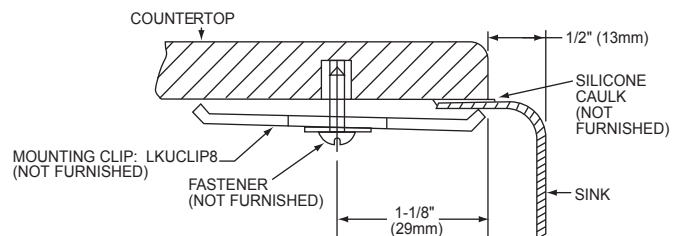
**Template is packed with every sink.



ELUH1116 Illustrated

Installation Profile of ELUH Models

The template provided with each ELUH sink provides the only type of installation recommended by Elkay.



In keeping with our policy of continuing product improvement, Elkay reserves the right to change product specifications without notice. Please visit elkayusa.com for most current version of Elkay product specification sheets.

This specification describes an Elkay product with design, quality and functional benefits to the user. When making a comparison of other producers' offerings, be certain these features are not overlooked.

Elkay

elkayusa.com

2222 Camden Court
Oak Brook, IL 60523

Printed in U.S.A.
©2010 Elkay

(Rev. 01/10) 1-318A