

# ELKAY<sup>®</sup>

## SPECIFICATIONS

### Gourmet Undermount Sink with Perfect Drain™

#### Model ELU2115 and ELUH2115 Series

#### GENERAL

Highest quality sink formed of #18 (1.2mm) gauge, type 304 (18-8) nickel bearing stainless steel with **Perfect Drain**. Undermount.

#### DESIGN FEATURES

Bowl Depth: See chart on next page.

Coved Corners: 1-3/4" (44mm) vertical and horizontal radius.

Finish ELU2115: Exposed surfaces are hand blended to a Lustrous Satin finish.

Finish ELUH2115: Exposed surfaces are hand blended to a Lustrous Highlighted Satin finish.

Underside: Fully protected by Sound Guard<sup>®</sup> undercoating to reduce condensation and dampen sound.

**Perfect Drain:** Seamlessly welded stainless steel collar eliminates the gap between a traditional drain and the sink for a sanitary and gap free installation. Each sink shipped with one LKPD1 drain kit, or a garbage disposer can be installed for user convenience.

#### Patent Pending

#### OTHER

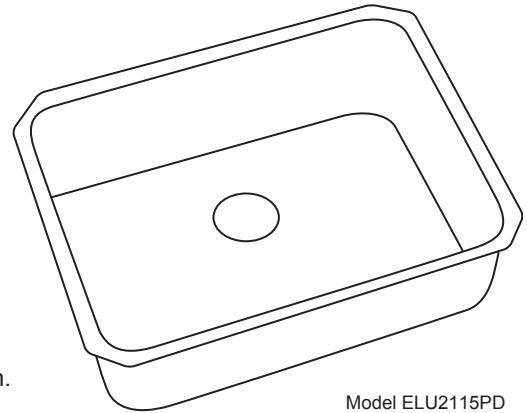
Drain opening: 3-3/8" (86mm)

NOTE: All Elkay undermount sinks are designed to affix to the underside of any solid surface countertop.

Waste Fitting complies with ASME A112.18.2/CAN/CSA-B125.2

Sink complies with ASME A112.19.3/ CSA B45.4

 Sinks are listed by IAPMO<sup>®</sup> as meeting the applicable requirements of the Uniform Plumbing Code<sup>®</sup>, International Plumbing Code<sup>®</sup>, and National Plumbing Code of Canada.



Model ELU2115PD



#### SINK PACKAGE(S)

MODEL	SINK	BOTTOM GRID	QTY	DRAIN	QTY
ELU2115PDBG	ELU2115PD	LKWOBG2115SS	1	LKPD1	1
ELU211510PDBG	ELU211510PD	LKWOBG2115SS	1	LKPD1	1
ELUH2115PDBG	ELUH2115PD	LKWOBG2115SS	1	LKPD1	1
ELUH211510PDBG	ELUH211510PD	LKWOBG2115SS	1	LKPD1	1

#### OPTIONAL ACCESSORIES

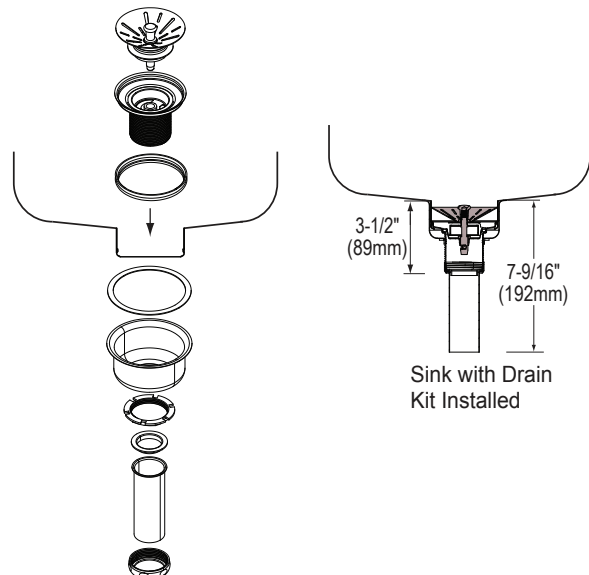
Bottom Grid: LKWOBG2115SS

Cutting Board (ELUH model only): CB1516

Rinsing Baskets: LKWWRB2115SS, LKWWRBSS

Utensil Caddy for Rinsing Basket: LKWUCSS

Mounting Clip: LKUCLIP8



Sink with Drain Kit Installed

In keeping with our policy of continuing product improvement, Elkay reserves the right to change product specifications without notice. Please visit [elkay.com](http://elkay.com) for the most current version of Elkay product specification sheets.

This specification describes an Elkay product with design, quality, and functional benefits to the user. When making a comparison of others producers offerings, be certain these features are not overlooked.

# ELKAY® SPECIFICATIONS

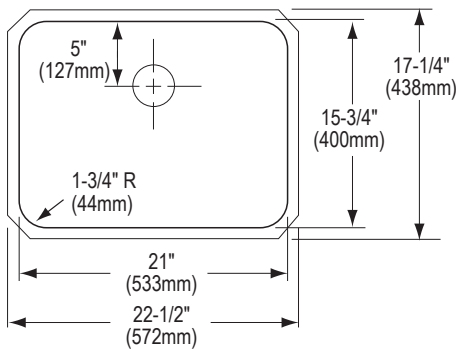
## Gourmet Undermount Sink with Perfect Drain™ Model ELU2115 and ELUH2115 Series

### SINK DIMENSIONS\*

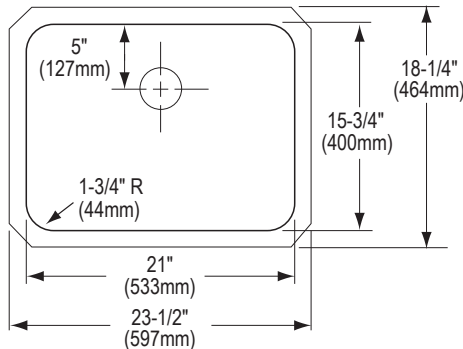
Model Number	Overall			Inside Bowl			Cutout in Countertop	Minimum Cabinet Size
	L	W	D	L	W	D		
ELU2115PD	22-1/2 (572mm)	17-1/4 (438mm)	9 (229mm)	21 (533mm)	15-3/4 (400mm)	7-1/2 (191mm)	See Template**	27 (686mm)
ELU211510PD	22-1/2 (572mm)	17-1/4 (438mm)	11-1/2 (292mm)	21 (533mm)	15-3/4 (400mm)	10 (254mm)		27 (686mm)
ELUH2115PD	23-1/2 (597mm)	18-1/4 (464mm)	9 (229mm)	21 (533mm)	15-3/4 (400mm)	7-1/2 (191mm)		27 (686mm)
ELUH211510PD	23-1/2 (597mm)	18-1/4 (464mm)	11-1/2 (292mm)	21 (533mm)	15-3/4 (400mm)	10 (254mm)		27 (686mm)

\*Length is left to right. Width is front to back.

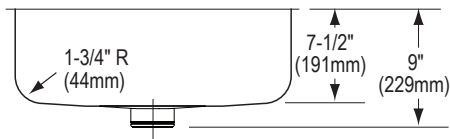
\*\*Template #74180162 (ELU2115(10)) or # 1000001400 (ELUH2115(10)) is packed with every sink.



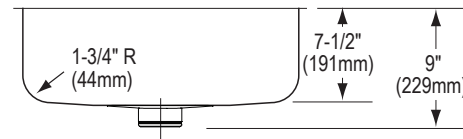
Model ELU2115PD Illustrated



Model ELUH2115PD Illustrated

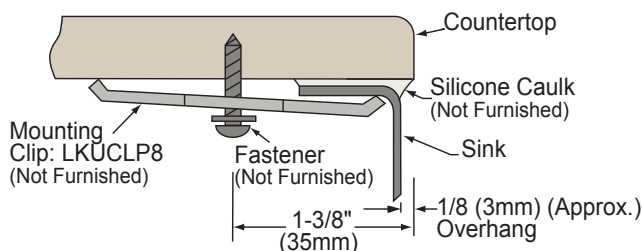


Model ELU211510PD Illustrated

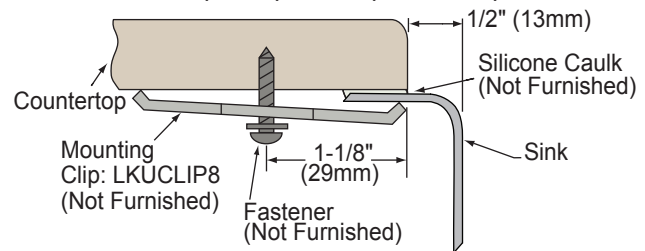


Model ELUH211510PD Illustrated

#### Installation Profile 1/8" (3mm) Overhang (ELU Sink)



#### Installation Profile 1/2" (13mm) Reveal (ELUH Sink)



Designed to affix to the underside of any solid surface countertop.



Elkay® Perfect Drain™ sinks are designed and approved for compatible disposers manufactured by InSinkErator® utilizing the Quick Lock® mounting configuration. Use of non-approved disposers may void Elkay warranty.

InSinkErator, Quick Lock and the mounting collar configuration are trademarks of Emerson Electric Co.



In keeping with our policy of continuing product improvement, Elkay reserves the right to change product specifications without notice. Please visit [elkay.com](http://elkay.com) for the most current version of Elkay product specification sheets.

This specification describes an Elkay product with design, quality, and functional benefits to the user. When making a comparison of others producers offerings, be certain these features are not overlooked.