

ELKAY® SPECIFICATIONS

Lustertone® Undermount Single Bowl Sink Model ELU2115 and ELUH2115 Series

GENERAL

Highest quality sink seamlessly drawn of #18 gauge, type 304 (18-8) nickel bearing stainless steel. Underside of sink is fully protected by heavy duty Sound Guard® undercoating. Designed to accept waste disposer.

DESIGN FEATURES

Bowl Depth: 7-1/2" (ELU[H]2115), 10" (ELU[H]211510).

Finish: Exposed surfaces are hand blended to a lustrous highlighted satin finish. ELUH models have highlighted inside top bowl radius.

Underside: Underside of sink is fully protected by heavy duty Sound Guard® undercoating to prevent condensation and deaden sound.

OTHER

Drain Opening: 3-1/2".

Note: All Elkay custom design undermount sinks are designed to affix easily to the underside of any solid surface countertop.

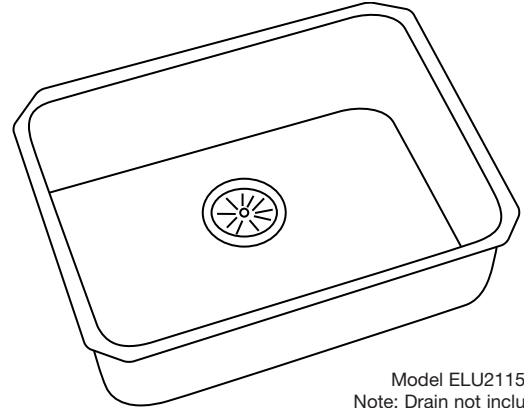
Installation: See illustrated profile below.

SINK DIMENSIONS (INCHES)*

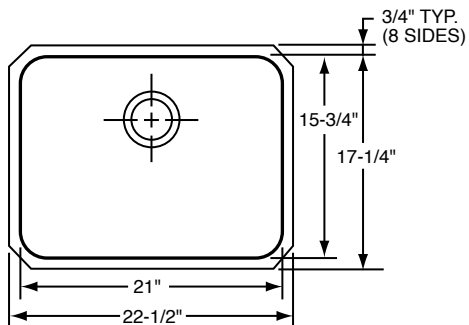
Model Number	Overall		Inside Bowl			Cutout in Countertop	Minimum Cabinet Size	Ship. Wt. Lbs.
	L	W	L	W	D			
ELU2115	22 1/2	17 1/4	21	15 3/4	7 1/2	See Template**	27	14
ELU211510	22 1/2	17 1/4	21	15 3/4	10		27	18
ELUH2115	23 1/2	18 1/4	21	15 3/4	7 1/2		27	14
ELUH211510	23 1/2	18 1/4	21	15 3/4	10		27	18

*Length is left to right. Width is front to back.

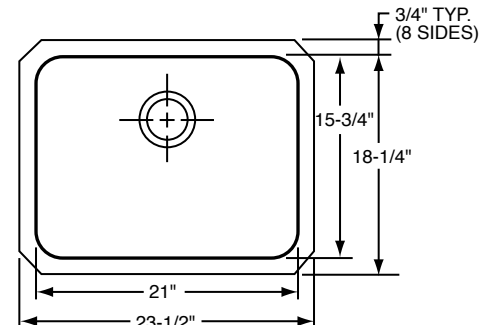
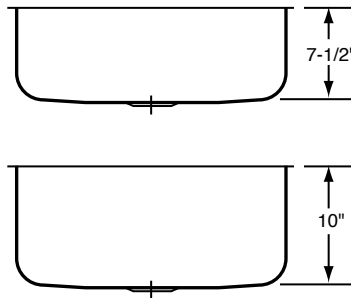
**Template and countertop mounting clips are packed with every sink.



Model ELU2115
Note: Drain not included.
Available as accessory item.



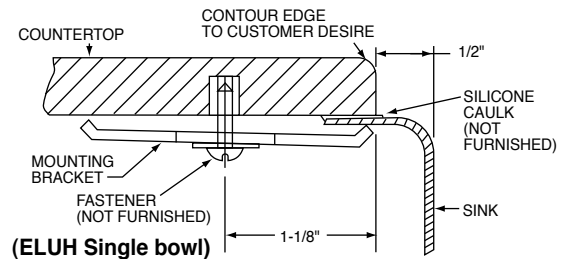
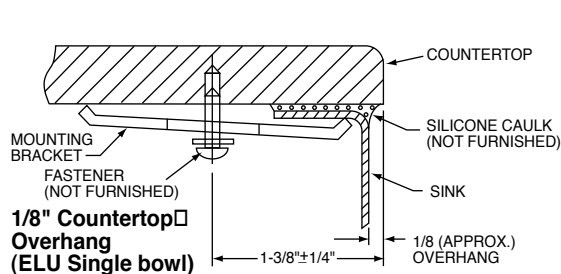
ELU2115/10



ELUH2115/10

Installation Profile of ELU and ELUH Single Bowl Models

The template provided with each ELU/ELUH sink provides the only type of installation recommended by Elkay.



ALL DIMENSIONS IN INCHES, TO CONVERT TO MILLIMETERS MULTIPLY BY 25.4.

In keeping with our policy of continuing product improvement, Elkay reserves the right to change product specifications without notice.

This specification describes an Elkay product with design, quality and functional benefits to the user. When making a comparison of other producers' offerings, be certain these features are not overlooked.