

ELKAY[®]

SPECIFICATIONS

Gourmet™ Double Bowl Sink Featuring E-Granite, Top Mount Models ELG3322 Series

GENERAL

Molded from Elkay E-Granite which is up to 85% natural quartz and high performance acrylic resins. E-Granite is non-porous and resists staining. E-Granite is hard enough to resist scratches and chips, is naturally sound deadened, and heat resistant. The color is solid throughout the sink and is UV resistant to prevent color-fading. Top mount.

DESIGN FEATURES

Bowl Depth: 9-1/2".

Rim Height: 3/8".

Material: Elkay E-Granite.

Color Options with natural accents: Black (BK), Bisque (BQ), or White (WH).

OTHER

Drain Opening: 3-1/2".

Note: Faucet holes are pre-scored for flexible installation. Installer can punch up to 4 faucet holes.

These sinks comply with ANSI Z124.6.

OPTIONAL ACCESSORIES

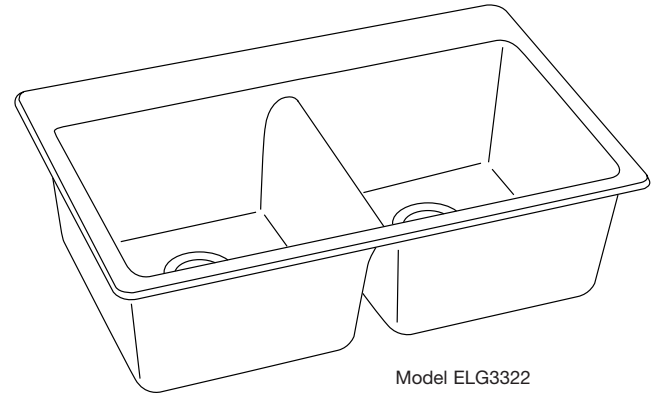
Bottom Grid: LKWOBG1415SS.

Cutting Board: CB1713.

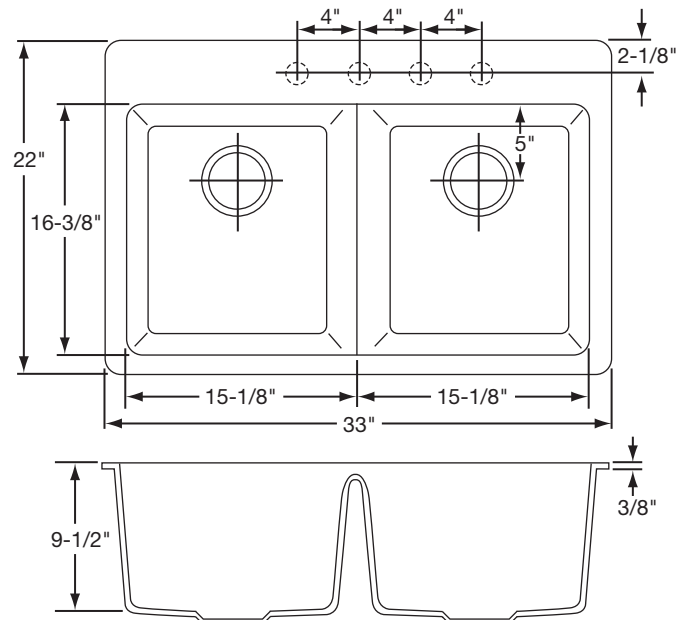
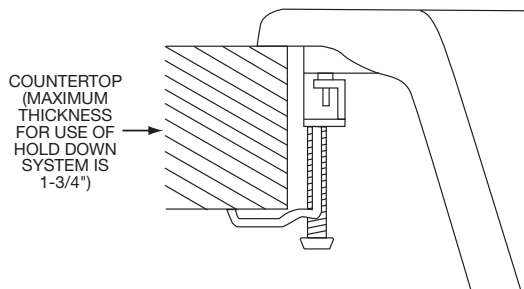
SINK DIMENSIONS (INCHES)*

| Model Number | Overall | | Inside Bowl | | | Cutout in Countertop | | No. of Pre-scored 1 1/2" Dia. Faucet Holes 4" Centers | Minimum Cabinet Size |
|--------------|---------|----|-------------|--------|-------|--|---|---|----------------------|
| | L | W | L | W | D | L | W | | |
| ELG3322BK | 33 | 22 | 15 1/8 | 16 3/8 | 9 1/2 | Use sink upside down as template and cut 5/16" inside sink outline | | 4 | 36 |
| ELG3322BQ | 33 | 22 | 15 1/8 | 16 3/8 | 9 1/2 | | | 4 | 36 |
| ELG3322WH | 33 | 22 | 15 1/8 | 16 3/8 | 9 1/2 | | | 4 | 36 |

*Length is left to right. Width is front to back.



Cross Profile of Installation



ALL DIMENSIONS IN INCHES, TO CONVERT TO MILLIMETERS MULTIPLY BY 25.4.

In keeping with our policy of continuing product improvement, Elkay reserves the right to change product specifications without notice.

This specification describes an Elkay product with design, quality and functional benefits to the user. When making a comparison of other producers' offerings, be certain these features are not overlooked.

Elkay

elkayusa.com

2222 Camden Court
Oak Brook, IL 60523

Printed in U.S.A.
©2007 Elkay

(9/07) 1-281