

ELKAY[®]

SPECIFICATIONS

Gourmet[®] Double Bowl Sink Featuring E-Granite, Top Mount Models ELG250R Series

GENERAL

Molded from Elkay E-Granite which is up to 85% natural quartz and high performance acrylic resins. E-Granite is non-porous and resists staining. E-Granite is hard enough to resist scratches and chips, is naturally sound deadened, and heat resistant. The color is solid throughout the sink and is UV resistant to prevent color-fading in indoor applications. Top mount.

DESIGN FEATURES

Bowl Depth: 9-1/2" (241mm).

Rim Height: 3/8" (10mm).

Material: Elkay E-Granite.

Color Options with natural accents: Black (BK), Bisque (BQ),

Dusk Gray (GY), Mocha (MC), or White (WH).

OTHER

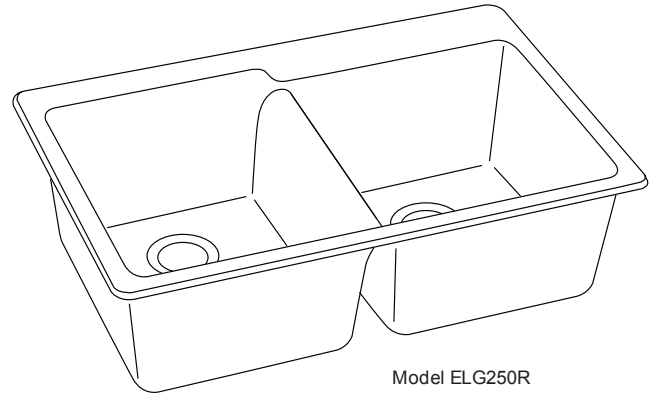
Drain Opening: 3-1/2" (89mm).

Note: Faucet holes are pre-scored for flexible installation. Installer can punch up to 4 faucet holes.

These sinks comply with ANSI Z124.6 and CSA B45-02.



These sinks are listed by the International Association of Plumbing and Mechanical Officials as meeting the requirements of the Uniform Plumbing Code and the National Plumbing Code of Canada.



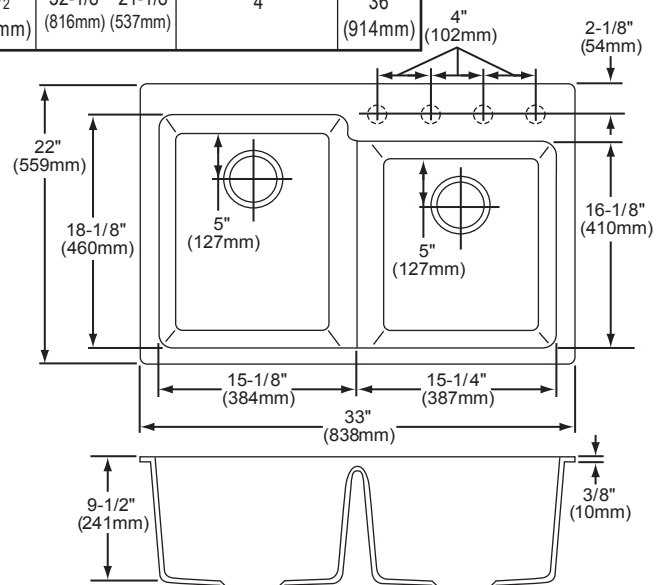
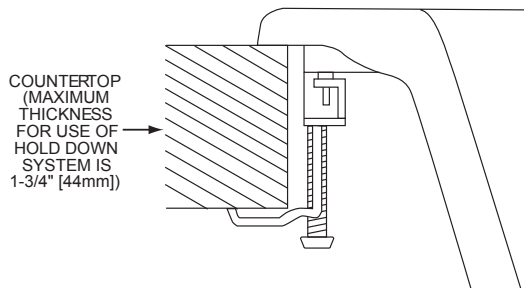
Model ELG250R

SINK DIMENSIONS*

Model Number	Overall		Inside Left Bowl			Inside Right Bowl			Cutout in Countertop 1" Radius (25mm) Corners		No. of Pre-scored 1 1/2" (38mm) Dia. Faucet Holes 4" (102mm) Centers	Minimum Cabinet Size
	L	W	L	W	D	L	W	D	L	W		
ELG250RBK	33 (838mm)	22 (559mm)	15 1/8 (384mm)	18 1/8 (460mm)	9 1/2 (241mm)	15 1/4 (387mm)	16 1/8 (410mm)	9 1/2 (241mm)	32-1/8 (816mm)	21-1/8 (537mm)	4	36 (914mm)
ELG250RBQ	33 (838mm)	22 (559mm)	15 1/8 (384mm)	18 1/8 (460mm)	9 1/2 (241mm)	15 1/4 (387mm)	16 1/8 (410mm)	9 1/2 (241mm)	32-1/8 (816mm)	21-1/8 (537mm)	4	36 (914mm)
ELG250RGY	33 (838mm)	22 (559mm)	15 1/8 (384mm)	18 1/8 (460mm)	9 1/2 (241mm)	15 1/4 (387mm)	16 1/8 (410mm)	9 1/2 (241mm)	32-1/8 (816mm)	21-1/8 (537mm)	4	36 (914mm)
ELG250RMC	33 (838mm)	22 (559mm)	15 1/8 (384mm)	18 1/8 (460mm)	9 1/2 (241mm)	15 1/4 (387mm)	16 1/8 (410mm)	9 1/2 (241mm)	32-1/8 (816mm)	21-1/8 (537mm)	4	36 (914mm)
ELG250RWH	33 (838mm)	22 (559mm)	15 1/8 (384mm)	18 1/8 (460mm)	9 1/2 (241mm)	15 1/4 (387mm)	16 1/8 (410mm)	9 1/2 (241mm)	32-1/8 (816mm)	21-1/8 (537mm)	4	36 (914mm)

*Length is left to right. Width is front to back.

Cross Profile of Installation



In keeping with our policy of continuing product improvement, Elkay reserves the right to change product specifications without notice. Please visit elkayusa.com for most current version of Elkay product specification sheets.

This specification describes an Elkay product with design, quality and functional benefits to the user. When making a comparison of other producers' offerings, be certain these features are not overlooked.

Elkay

elkayusa.com

2222 Camden Court
Oak Brook, IL 60523

Printed in U.S.A.

©2011 Elkay

(Rev. 05/11) 1-282D

ELKAY® SPECIFICATIONS

Gourmet® Double Bowl Sink Featuring E-Granite, Top Mount Models ELG250R Series

OPTIONAL ACCESSORIES

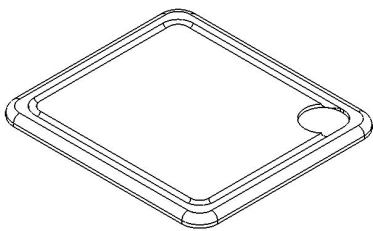
Drains: LKKDT35, LKD35, LKS35

Utensil Caddy for Rinsing Basket: LKWUCSS

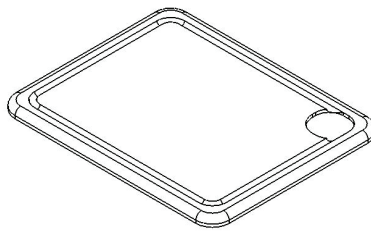
For Additional Accessories see table below

Model Number	Description	Bowl	Overall			Material/Finish
			L	W	Depth/Thickness	
LKCBEG1516HW	Cutting Board	Right	15-3/8" (390mm)	17-1/8" (436mm)	1" (25mm)	Hardwood
LKCBEG1518HW	Cutting Board	Left	15-1/2" (394mm)	19-1/4" (489mm)	1" (25mm)	Hardwood
LKWOBG1516SS	Bottom Grid	Right	12-1/16" (306mm)	13-3/4" (350mm)	1-1/8" (29mm)	Polished stainless steel
LKWOBG1518SS	Bottom Grid	Left	12-1/8" (306mm)	15-3/4" (401mm)	1-1/8" (29mm)	Polished stainless steel
LKWRB1516SS	Rinsing Basket	Right	11-7/8" (302mm)	13-3/4" (350mm)	5-3/8" (137mm)	Polished stainless steel
LKWRB1518SS	Rinsing Basket	Left	12-1/8" (306mm)	15-3/4" (401mm)	5-3/8" (137mm)	Polished stainless steel

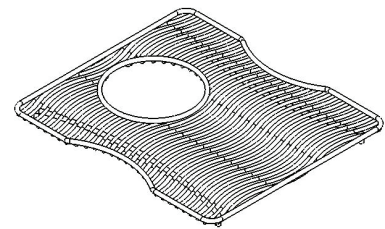
*Length is left to right. Width is front to back.



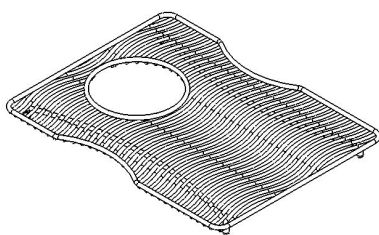
LKCBEG1516HW



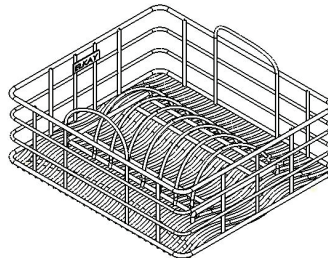
LKCBEG1518HW



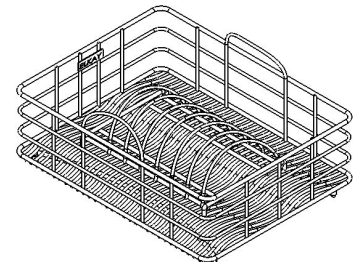
LKWOBG1516SS



LKWOBG1518SS



LKWRB1516SS



LKWRB1518SS

In keeping with our policy of continuing product improvement, Elkay reserves the right to change product specifications without notice. Please visit elkayusa.com for most current version of Elkay product specification sheets.

This specification describes an Elkay product with design, quality and functional benefits to the user. When making a comparison of other producers' offerings, be certain these features are not overlooked.