

ELKAY[®]

SPECIFICATIONS

Gourmet E-Granite Single Bowl Universal Mount Sink Models ELG1515 Series

GENERAL

Molded with up to 80% natural quartz and high performance acrylic resins. E-Granite is non-porous and resists staining. E-Granite is hard enough to resist scratches and chips, is naturally sound deadened, and heat resistant. The color is solid throughout the sink and is UV resistant to prevent color-fading in indoor applications. Universal mount sinks can be installed as a top mount or undermount. Both types of clips are provided.

DESIGN FEATURES

Bowl Depth: 8" (203mm).
Rim Height: 3/8" (10mm).
Color Options with natural accents: Black (BK), Bisque (BQ), Dusk Gray (GY), Mocha (MC), or White (WH).

OTHER

Drain Opening: 3-1/2" (89mm).
Sink complies with CSA B45.5 / IAPMO Z124



Sinks are listed by IAPMO[®] as meeting the applicable requirements of the Uniform Plumbing Code[®], International Plumbing Code[®], and National Plumbing Code of Canada.

OPTIONAL ACCESSORIES

Drains: LKD35, LKS35
Rinsing Basket: LKWRB1209SS
Utensil Caddy for Rinsing Basket: LKWUCSS

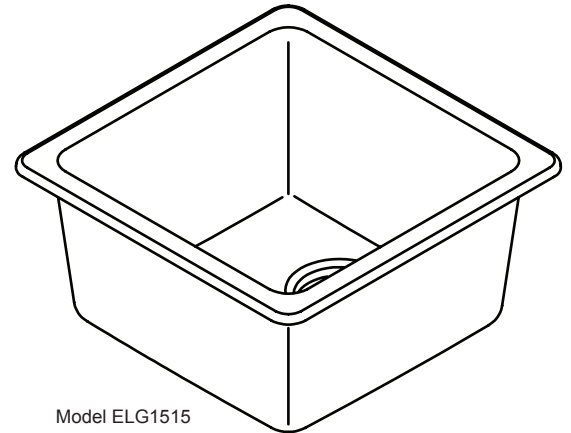
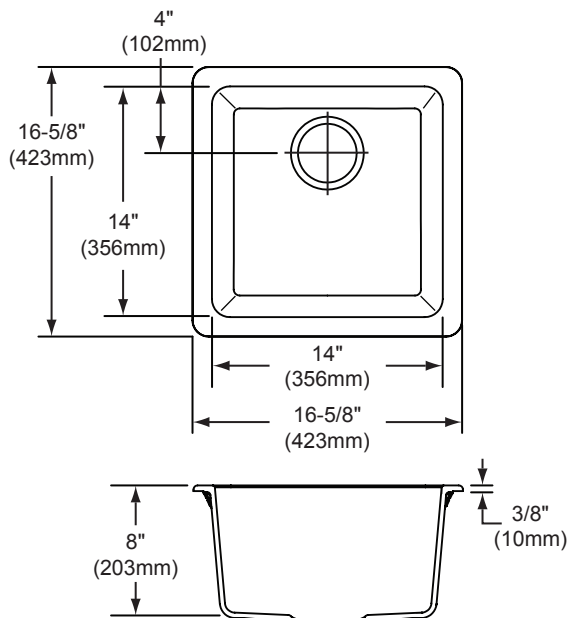
SINK DIMENSIONS*

Model Number	Overall		Inside Bowl			Countertop Cutout for Top Mount Installation† (25mm) Radius Corners		Minimum Cabinet Size
	L	W	L	W	D	L	W	
ELG1515	16-5/8" (423mm)	16-5/8" (423mm)	14" (356mm)	14" (356mm)	8" (203mm)	16" (406mm)	16" (406mm)	21" (533mm)

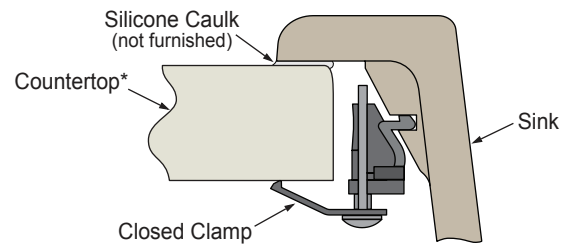
*Length is left to right. Width is front to back.

**Undermount template 0000001435 and countertop mounting clips are packed with every sink.

***Top mount template 0000001436 is available on Elkay.com or by contacting customer service.

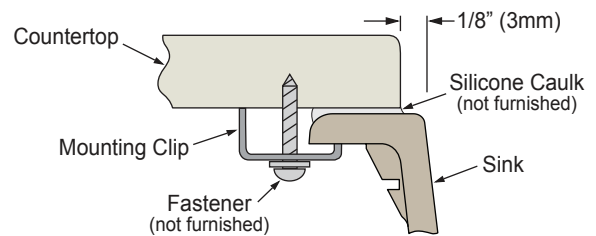


Top Mount



*Maximum thickness for use of hold down system is 1-3/4" (44mm).

Undermount - 1/8" (3mm) Reveal



Designed to affix to the underside of any solid surface countertop.

In keeping with our policy of continuing product improvement, Elkay reserves the right to change product specifications without notice. Please visit elkay.com for the most current version of Elkay product specification sheets.

This specification describes an Elkay product with design, quality, and functional benefits to the user. When making a comparison of other producers' offerings, be certain these features are not overlooked.