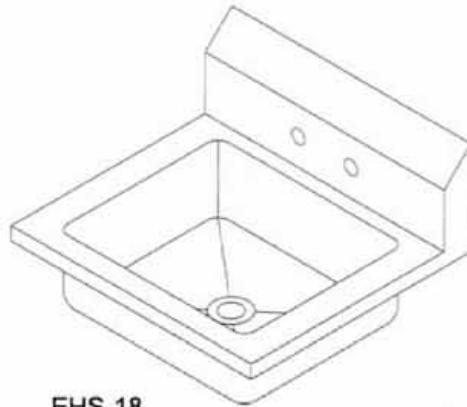




ECONOMY
WALL MOUNTED
HAND SINKS



EHS-14



EHS-18

FEATURES:

TOP & BOWL are constructed of 18 gauge 304 stainless steel.

BACKSPLASH is 6" tall, from the deck, with a 2" return at 45°.

INCLUDES: 6" goose neck faucet, z-clip mounting bracket and (1) 1-1/2" basket strainer.

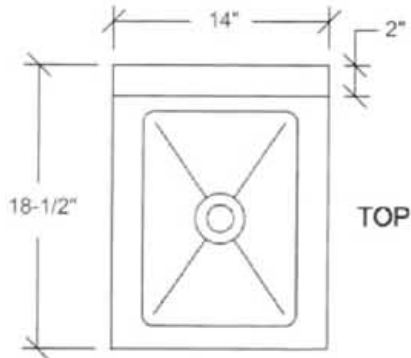
All visible welds are ground and polished to no. 4 finish.

STANDARD SIZES (in.)

MODEL	BOWL	LENGTH	WIDTH	HEIGHT
EHS-14	10X14X5	14	18-1/2	11"
EHS-18	14X10X5	18	14-1/2	

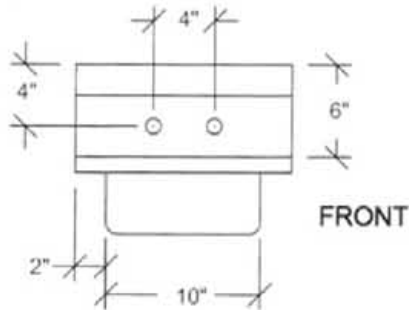
SPECIFICATIONS

DATE: _____ MODEL NO: _____
 PROJECT: _____

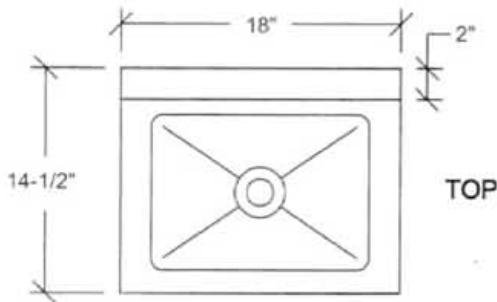
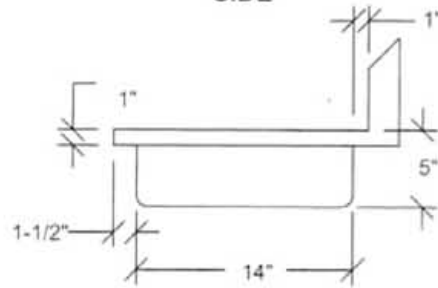


EHS-14

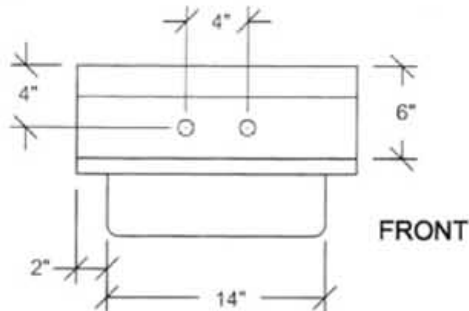
ECONOMY
 WALL MOUNTED
 HAND SINKS



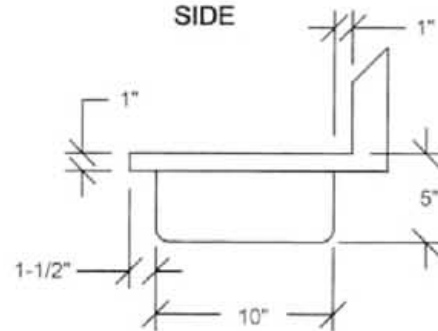
SIDE



EHS-18



SIDE



MODEL	APPROX. WT. (lbs.)
EHS-14	13
EHS-18	14

(Specifications Subject To Change)



North 421 Freya, Spokane, WA 99202 509-533-0808 / 800-726-0553 Fax: 509-535-1493 Website: <http://www.sspinc.net> E-mail: ssp@sspinc.net