

# ELKAY<sup>®</sup>

## SPECIFICATIONS

### elumina™ by Elkay Double Bowl Sink Model EG3322

#### GENERAL

Fine quality sink bowls seamlessly formed of #18 gauge, type 304 nickel bearing stainless steel. Self-rimming.

#### DESIGN FEATURES

Bowl Depth: 8-1/4".

Coved Corners: 3" vertical and 2-1/4" horizontal radius.

Bowl and Faucet Deck Recess: 3/8" below outside edge of sink.

Finish: Exposed surfaces are polished to a non-directional soft satin finish.

Underside: Sound absorbing pads applied to dampen sound.

Aqueduct (recessed partition) allows water to flow to adjacent bowl before overflowing sink.

#### OTHER

Drain Opening: 3-1/2".

NOTE: Unless otherwise specified, sink is furnished with 4 faucet holes as shown.

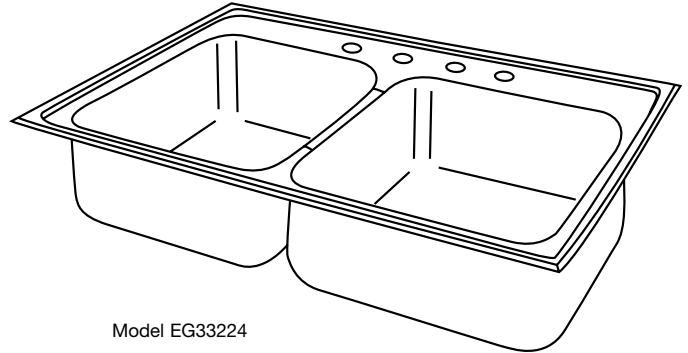
#### OPTIONAL ACCESSORIES

Rinsing Baskets: LKRB1611 or LKERBSS.

Bottom Grid: LKOBG1416.

Cutting Board: CB1516.

This sink complies with ANSI Standard A112.19.3M.

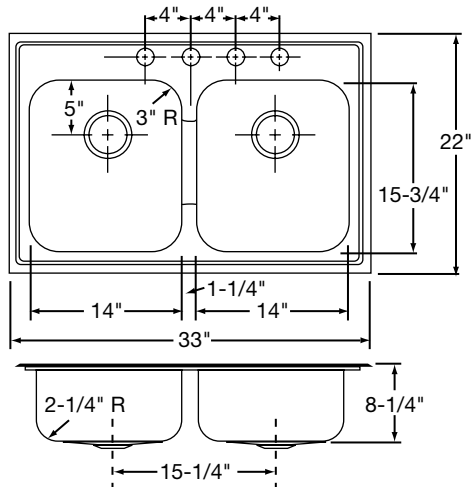


Model EG33224

#### SINK DIMENSIONS (INCHES)\*

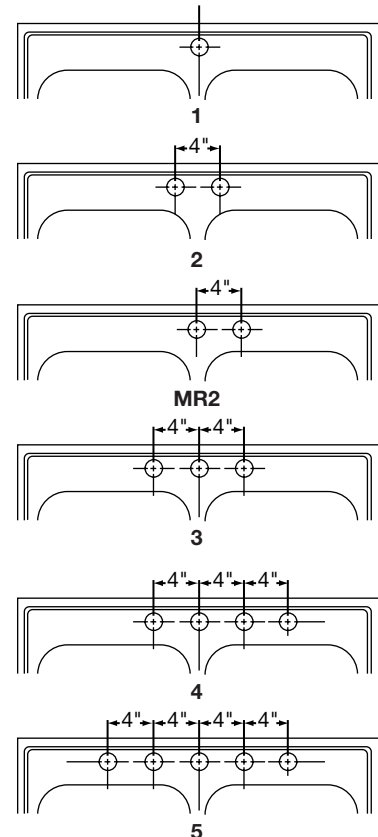
Model Number	Overall		Inside Each Bowl			Cutout in Countertop (1 1/2" Radius Corners)		No. of 1 1/2" Dia. Faucet Holes 4" Centers	Minimum Cabinet Size	Ship. Wt. Lbs.
	L	W	L	W	D	L	W			
EG3322	33	22	14	15 3/4	8 1/4	32 5/8	21 3/8	1, 2, MR2, 3, 4 or 5	36	24 1/2

\*Length is left to right. Width is front to back.



Model EG33224 Illustrated

#### HOLE DRILLING CONFIGURATIONS



ALL DIMENSIONS IN INCHES, TO CONVERT TO MILLIMETERS MULTIPLY BY 25.4.

In keeping with our policy of continuing product improvement, Elkay reserves the right to change product specifications without notice.

This specification describes an Elkay product with design, quality and functional benefits to the user. When making a comparison of other producers' offerings, be certain these features are not overlooked.

Elkay

www.elkayusa.com

2222 Camden Court  
Oak Brook, IL 60523

Printed in U.S.A.  
©2004 Elkay

(3/04)

1-200