

ELKAY[®]

SPECIFICATIONS

Crosstown™

Undermount Double Bowl Sinks

Models ECTRU32179L and ECTRU32179R

GENERAL

Highest quality sink fabricated of #18 (1.2mm) gauge, type 304 (18-8) nickel bearing stainless steel. Undermount.

DESIGN FEATURES

Bowl Depth: 9" (229mm).

Coved Corners: Approximately 5/8" (15mm).

Finish: Exposed surfaces have a Polished Satin Finish.

Underside: Fully protected by heavy duty Sound Guard[®] undercoating designed to reduce condensation and dampen sound.

OTHER

Drain Opening: 3-1/2" (89mm).

NOTE: All Elkay undermount sinks are designed to attach to the underside of any solid surface countertop.

Sink complies with ASME A112.19.3/ CSA B45.4



Sinks are listed by IAPMO[®] as meeting the applicable requirements of the Uniform Plumbing Code[®], International Plumbing Code[®], and National Plumbing Code of Canada.

OPTIONAL ACCESSORIES

Bottom Grid: GFOBG1217SS (small bowl),

GFOBG1717SS (large bowl).

Cutting Board: LKCBF17HW

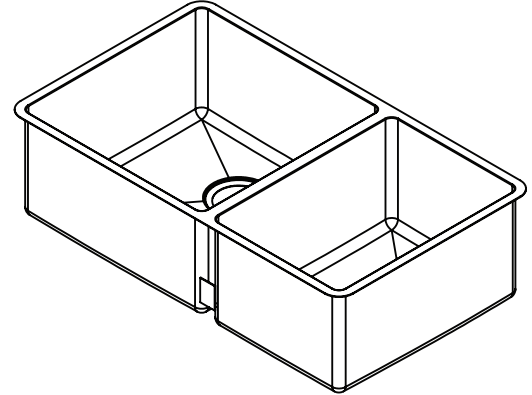
Mounting Clips: LKUCLIP8

Rinsing Basket: LKFRB1616SS (large bowl), LKFRB1116SS (small bowl)

LKFRB715SS (small bowl).

Utensil Caddy for Rinsing Basket: LKWUCSS

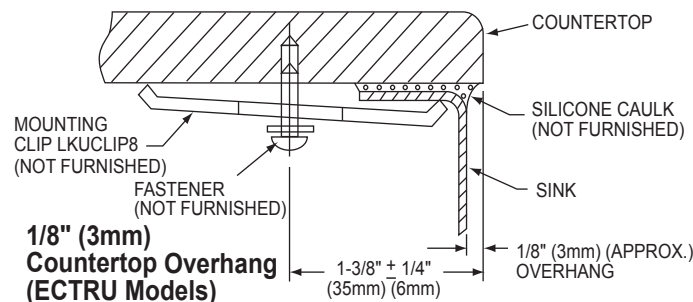
Drain: LK99



Model ECTRU32179R

Installation Profile of ECTRU Models

The template provided with each ECTRU sink provides the only type of installation recommended by Elkay



SEE OTHER SIDE FOR PRODUCT DIMENSIONS.

In keeping with our policy of continuing product improvement, Elkay reserves the right to change product specifications without notice. Please visit elkayusa.com for most current version of Elkay product specification sheets.

This specification describes an Elkay product with design, quality and functional benefits to the user. When making a comparison of other producers' offerings, be certain these features are not overlooked.

Elkay

elkayusa.com

2222 Camden Court
Oak Brook, IL 60523

©2013 Elkay

(Rev. 05/13) SPEC00010

SINK DIMENSIONS*

Model Number	Overall		Inside Left Bowl			Inside Right Bowl			Cutout in Countertop	Minimum Cabinet Size
	L	W	L	W	D	L	W	D		
ECTRU32179L	31 1/2" (800mm)	18 1/2" (470mm)	17" (432mm)	17" (432mm)	9" (229mm)	12" (305mm)	17" (432mm)	9" (229mm)	See Template**	36" (914mm)
ECTRU32179R	31 1/2" (800mm)	18 1/2" (470mm)	12" (305mm)	17" (432mm)	9" (229mm)	17" (432mm)	17" (432mm)	9" (229mm)		36" (914mm)

*Length is left to right. Width is front to back.
 **Template is packed with every sink.

