

ELKAY[®]

SPECIFICATIONS

Harmony™ Single Bowl Sink with Ribbed Area Model ECGR4022 Series

GENERAL

Fine quality sink formed of #18 gauge, type 304 nickel bearing stainless steel. Top mount.

DESIGN FEATURES

Bowl Depth: 8".

Finish: Exposed surfaces are polished to a soft satin finish.

Bowl and Faucet Deck Recess: 3/8" below outside edge of sink.

Underside: Fully protected by heavy duty Sound Guard[®] undercoating to dampen sound and prevent condensation.

OTHER

Drain Opening: 3-1/2".

NOTE: Unless otherwise specified sink is furnished with 1 faucet hole as shown.

Suffix L (left) or R (right) denotes location of the bowl.

These sinks comply with ASME A112.19.3.



These sinks are listed by the International Association of Plumbing and Mechanical Officials as meeting the requirements of the Uniform Plumbing Code.

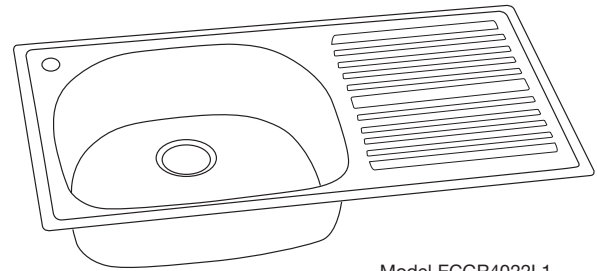
OPTIONAL ACCESSORIES

Rinsing Baskets: LWRB2118SS, LKWERBSS.

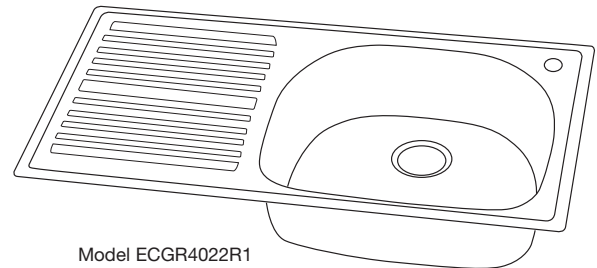
Utensil Caddy for Rinsing Basket: LKWUCSS.

Bottom Grid: LKWOBG2118SS.

Cutting Board: CB2213.



Model ECGR4022L1

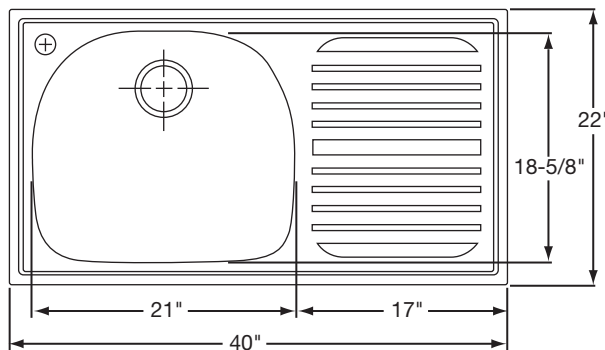


Model ECGR4022R1

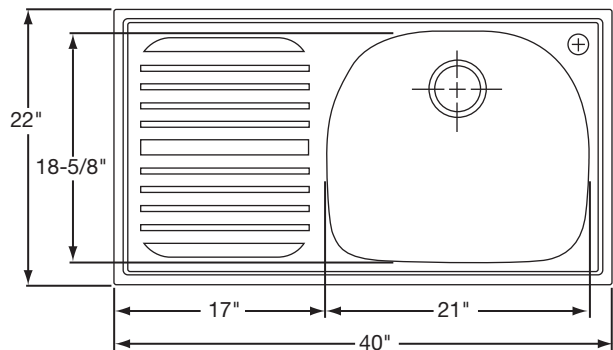
SINK DIMENSIONS (INCHES)*

Model Number	Overall		Inside Bowl			Ribbed Area	Cutout in Countertop (1 1/2" Radius Corners)		No. of 1 1/2" Dia. Faucet Holes	Minimum Cabinet Size
	L	W	L	W	D		L	W		
ECGR4022L	40	22	21	18 5/8	8	17	39 3/8	21 3/8	1 or 2	45
ECGR4022R	40	22	21	18 5/8	8	17	39 3/8	21 3/8	1 or 2	45

*Length is left to right. Width is front to back.



Model ECGR4022L1 Illustrated



Model ECGR4022R1 Illustrated

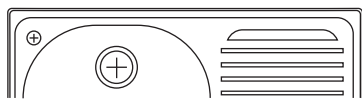
ALL DIMENSIONS IN INCHES, TO CONVERT TO MILLIMETERS MULTIPLY BY 25.4.

In keeping with our policy of continuing product improvement, Elkay reserves the right to change product specifications without notice.

This specification describes an Elkay product with design, quality and functional benefits to the user. When making a comparison of other producers' offerings, be certain these features are not overlooked.

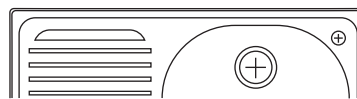
HOLE DRILLING CONFIGURATIONS

Left Version



ECGR4022L1

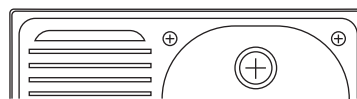
Right Version



ECGR4022R1



ECGR4022L2



ECGR4022R2