

# DAYTON<sup>®</sup> SPECIFICATIONS

## Dayton<sup>®</sup> Undermount Double Bowl Sink Model DXUH312010 Series

### GENERAL

Sink is formed of #18 (1.2mm) gauge, type 301 nickel bearing stainless steel.

### DESIGN FEATURES

Bowl Depth: 8" (203mm) small bowl, 10" (254mm) large bowl.

Underside: Sound dampening pad with spray undercoating to dampen sound and reduce condensation.

Finish: Exposed surfaces are polished to a Radiant Satin finish.

### OTHER

Drain Openings: 3-1/2" (89mm).

NOTE: All Dayton undermount sinks are designed to affix easily to the underside of any solid surface countertop.

### OPTIONAL ACCESSORIES

Bottom Grid: LKWBG1415SS (small bowl), GBG1415SS

(small bowl), GBG1318SS (large bowl)

Drain: LK35, D1125

Cutting Boards: CB1516 (small bowl), CBR1316 (large bowl) (*Sink must be installed with a 1/2" reveal for cutting board to fit properly.*)

Rinsing Baskets: LKWRB1316SS (small bowl), LKWRB1318SS (large bowl), LKWERBSS (either bowl)

Utensil Caddy: LKWUCSS

Mounting Clip: LKUCLIP8 (2 packages required)

Template: 64180279

Sink complies with ASME A112.19.3-2008 / CSA B45.4-08.



These sinks are listed by the International Association of Plumbing and Mechanical Officials as meeting the requirements of the Uniform Plumbing Code and the National Plumbing Code of Canada.

### SINK PACKAGE

DXUH312010LDF includes: (1) Sink - DXUH312010L, (1) Faucet - LK1501CR, and (2) Drains.

DXUH312010RDF includes: (1) Sink - DXUH312010R, (1) Faucet - LK1501CR, and (2) Drains.

DXUH312010LDFBG includes: (1) Sink - DXUH312010L, (1) Faucet - LK5000CR, (1) Bottom Grid - GBG1318SS, and (2) Drains.

DXUH312010RDFBG includes: (1) Sink - DXUH312010R, (1) Faucet - LK5000CR, (1) Bottom Grid - GBG1318SS, and (2) Drains.

### FAUCET FEATURES

LK1501CR

- Chrome finished, single-lever kitchen faucet with side spray.
- Flexible supply tubes with 1/2" (13mm) male IPS adapters.
- Two 1 3/8" diameter faucet holes required.

LK5000CR

- Chrome finished, single-lever kitchen faucet with pull-down spray.
- Braided stainless steel supply lines.
- Three 1 3/8" diameter faucet holes required.

Max counter thickness: 2.5" (63mm).

Faucets comply with: ADA, ANSI/NSF61, ASME A112.18.1/CSA B125.1, cUPC, CA AB1953

Faucet flow rate: 1.5 GPM/5.7 L/min at 60 P.S.I.G.

### BOTTOM GRID FEATURES

Nickel-bearing stainless steel

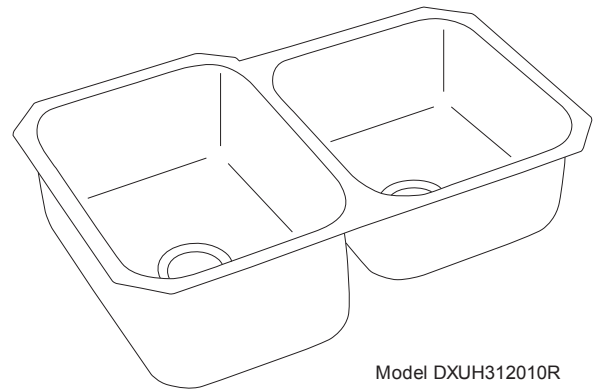
Bright finish

Dishwasher safe

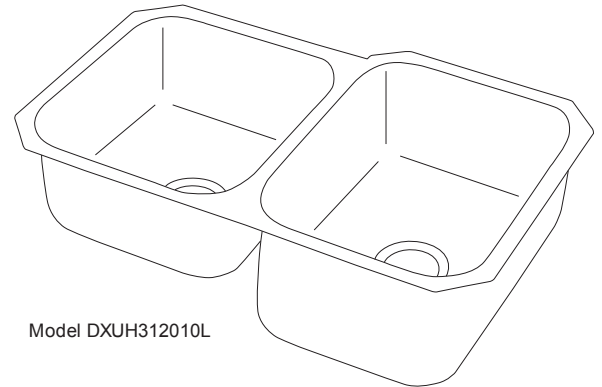
### DRAIN FEATURES

Stainless steel body and strainer.

Fits 3-1/2" (89mm) opening.



Model DXUH312010R



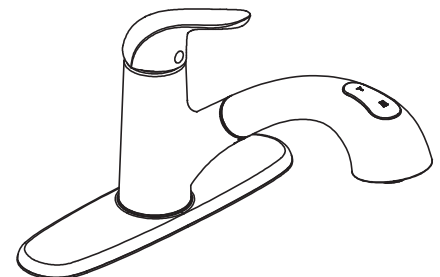
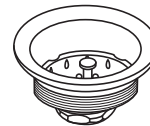
Model DXUH312010L



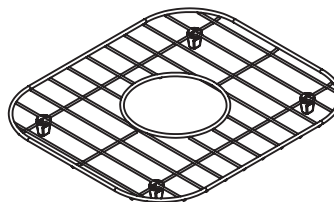
SINKS ARE  
MADE IN THE USA



LK1501



LK5000



GBG1318SS

*In keeping with our policy of continuing product improvement, Elkay reserves the right to change product specifications without notice. Please visit [elkayusa.com](http://elkayusa.com) for most current version of Elkay product specification sheets.*

*This specification describes an Elkay product with design, quality and functional benefits to the user. When making a comparison of other producers' offerings, be certain these features are not overlooked.*

Elkay

[elkayusa.com](http://elkayusa.com)

2222 Camden Court  
Oak Brook, IL 60523

Printed in U.S.A.  
©2011 Elkay

(Rev. 8/11) 2-59E

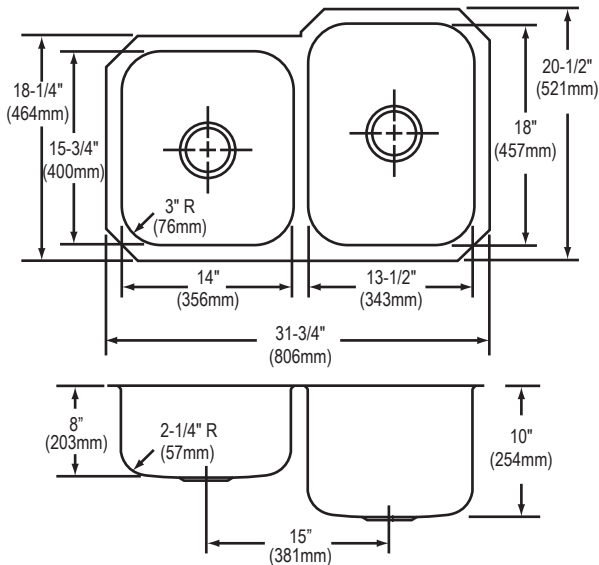
# DAYTON® SPECIFICATIONS

## Dayton® Undermount Double Bowl Sink Model DXUH312010 Series

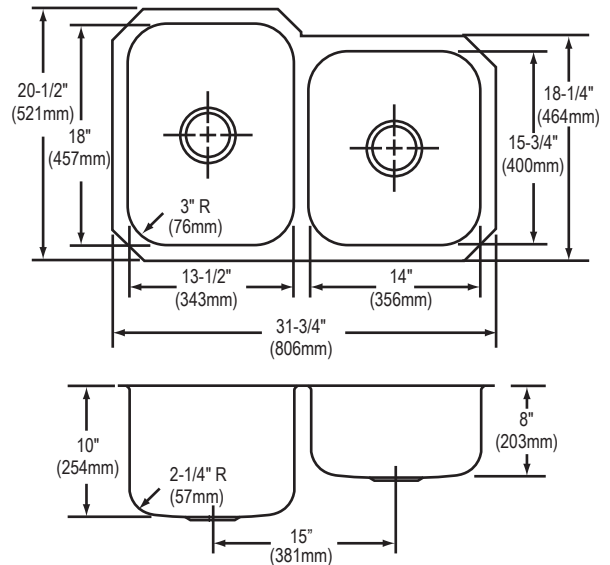
### SINK DIMENSIONS (INCHES)\*

Model Number	Overall		Inside Left Bowl			Inside Right Bowl			Minimum Cabinet Size
	L	W	L	W	D	L	W	D	
DXUH312010L	31-3/4 (806mm)	20-1/2 (521mm)	14 (356mm)	15-3/4 (400mm)	8 (203mm)	13-1/2 (343mm)	18 (457mm)	10 (254mm)	36 (914mm)
DXUH312010R	31-3/4 (806mm)	20-1/2 (521mm)	13-1/2 (343mm)	18 (457mm)	10 (254mm)	14 (356mm)	15-3/4 (400mm)	8 (203mm)	36 (914mm)

\*Length is left to right. Width is front to back.



Model DXUH312010L Illustrated



Model DXUH312010R Illustrated

### Electronic Dual Template Mounting Option (Download DXF File from [www.elkayusa.com](http://www.elkayusa.com))

