

DAYTON® SPECIFICATIONS

Dayton® Undermount Single Bowl Sink Model DXUH2416

GENERAL

Sink formed of #18 (1.2mm) gauge, 300 series nickel bearing stainless steel. Undermount.

DESIGN FEATURES

Bowl Depth: 8" (203mm).

Coved Corners: 1-3/4" (44mm) horizontal and vertical radii.

Finish: Exposed surfaces are polished to a Radiant Satin finish.

Underside: Sound dampening pad with spray undercoating to dampen sound and reduce condensation.

OTHER

Drain opening: 3-3/8" (86mm)

Sink complies with ASME A112.19.3/ CSA B45.4



Sinks are listed by IAPMO® as meeting the applicable requirements of the Uniform Plumbing Code®, International Plumbing Code®, and National Plumbing Code of Canada.

OPTIONAL ACCESSORIES

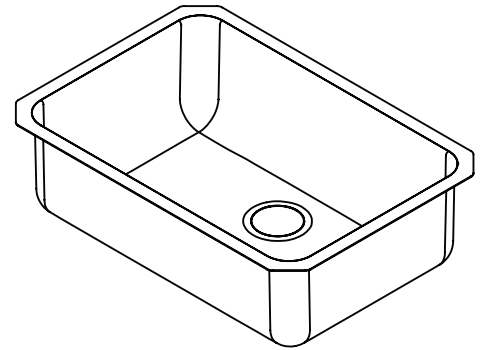
Bottom Grid: LKWBG2416SS, GBG2416SS

Mounting Clip: LKUCLIP8

Rinsing Basket: LKWRB2416SS, LKWERBSS

Template: 0000000414

Utensil Caddy for Rinsing Basket: LKWUCSS



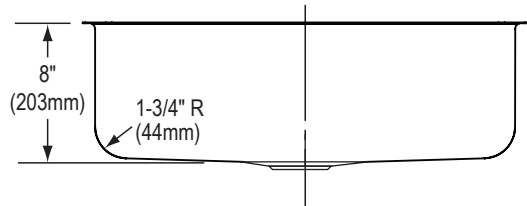
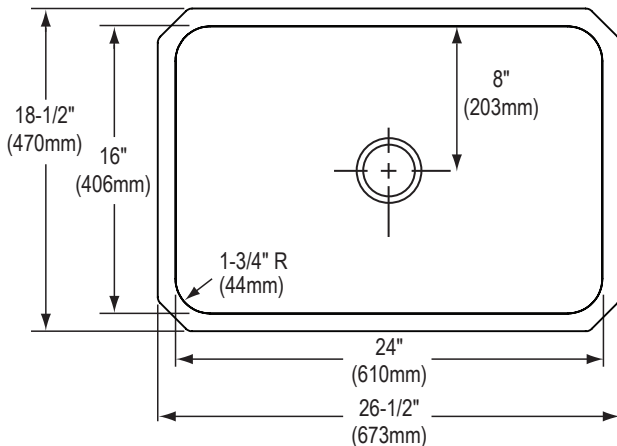
Model DXUH2416



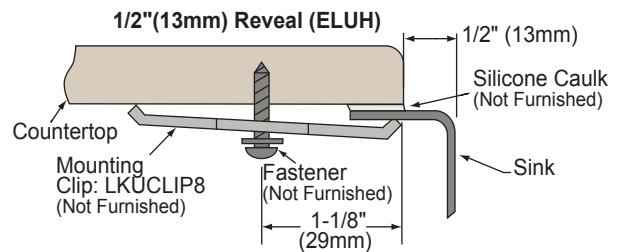
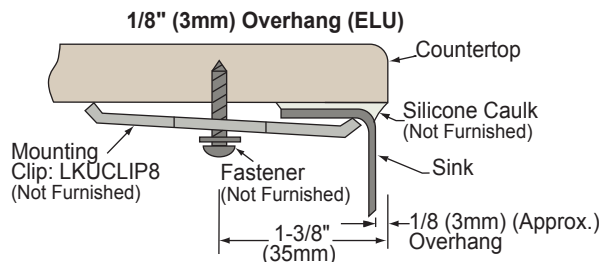
SINK DIMENSIONS*

Model Number	Overall		Inside Each Bowl			Minimum Cabinet Size
	L	W	L	W	D	
DXUH2416	26 1/2 (673mm)	18 1/2 (470mm)	24 (610mm)	16 (406mm)	8 (203mm)	30 (762mm)

*Length is left to right. Width is front to back.



Installation Profile



Designed to affix to the underside of any solid surface countertop.

In keeping with our policy of continuing product improvement, Elkay reserves the right to change product specifications without notice. Please visit elkayusa.com for most current version of Elkay product specification sheets.

This specification describes an Elkay product with design, quality and functional benefits to the user. When making a comparison of other producers' offerings, be certain these features are not overlooked.